

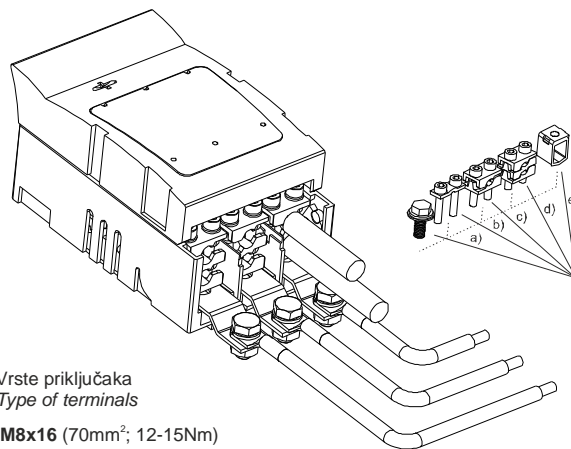
Upute za montažu

Installation instruction



A) Osigurač-rastavna sklopka tip HVL-P EK 00

Fuse-switch disconnector type HVL-P EK 00



1. Vrste priključaka

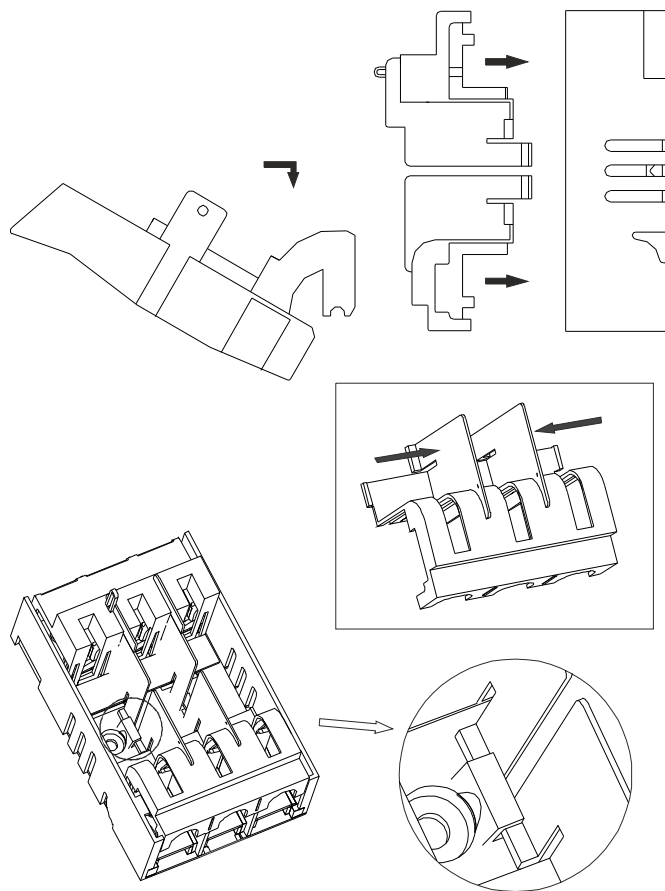
Type of terminals

- a) **M8x16** (70mm²; 12-15Nm)
- b) **OS00** (6-50mm² Cu; 2,6Nm)
- c) **P00/70** (10-70mm² Al/Cu; 4,5Nm)
P00/95 (35-95mm² Al/Cu; 4,5Nm)
- d) **P002** (2x(10-50)mm² Al/Cu; 4,5Nm)
P002 (2x(35-70)mm² Al/Cu; 4,5Nm)
- e) **BOX** (10-70mm² Cu; 4,5Nm)

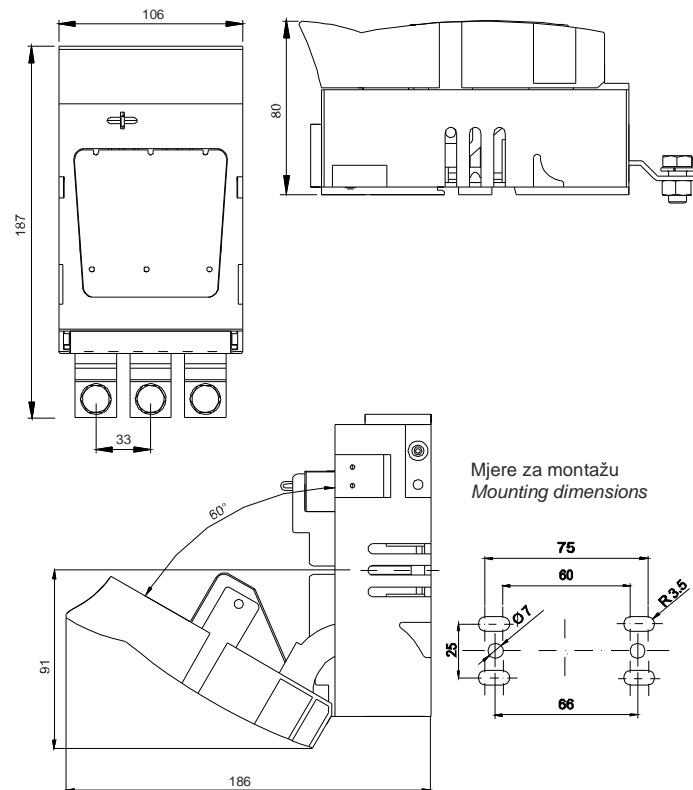
OM0987



B) Montiranje zaštitnih kapa i poklopca
Mounting protective caps and cover



C) Mjerne skice
Dimension drawings



Dimenzije u mm
 Dimensions in mm