

D

Low voltage fuse-links	622
Fuse bases	624
Accessories	626
Technical data	628



LOW VOLTAGE FUSES



Low voltage fuse-links

Fuse-link D

Rated current
2 - 200 A

Fusing characteristics
gG, TDZ, DZ

D fuse-links for use by unskilled persons for domestic and similar applications are used as the most reliable protection of electrical installation, control and signal circuits against overload and short-circuit currents.

The whole system D contains a complete range of five physical sizes DI, DII, DIII, DIV and DV fuse-links, standard ceramic and new plastic fuse bases and all necessary accessories. It is dimensioned for rated voltages 500 V, 690 V, 750 V and 1200 V a.c. resp. 500 V or 600 V d.c. with AC 50 kA and DC 8 kA rated breaking capacity.

The system D is intended to be used in residential, business and similar buildings. When it is used in industrial installations, it is necessary to take into account the requirements of the standard IEC 60664-1 concerning the insulation coordination for equipment within low-voltage systems.

All fuse-links have blown-fuse indicators which are visible through the Screw cap when mounted. Fuse-links, fuse bases, caps and fuse-disconnectors are tested and certified according to IEC 60269-3-1, DIN EN 60269-3, DIN VDE 0636-301, HD 630.3.1 and DIN EN 60269-1.



DI for fuse base E 16

I_n [A]	Colour	Code No. DZ*	Code No. gG, TDZ*	Weight [g]	Packaging [pcs]
2	pink	002311101	002311401	12	10/500
4	brown	002311102	002311402	12	10/500
6	green	002311103	002311403	12	10/500
10	red	002311104	002311404	13	10/500
16	grey	002311105	002311405	14	10/500
20	blue	002311106	002311406	15	10/500
25	yellow	002311107	002311407	16	10/500

DII for fuse base E 27

I_n [A]	Colour	Code No. DZ*	Code No. gG, TDZ*	Weight [g]	Packaging [pcs]
2	pink	002312101	002312401	27	5/500
4	brown	002312102	002312402	27	5/500
6	green	002312103	002312403	27	5/500
10	red	002312104	002312404	27	5/500
13	black		002312409	27	5/500
16	grey	002312105	002312405	28	5/500
20	blue	002312106	002312406	29	5/500
25	yellow	002312107	002312407	30	5/500

DIII for fuse base E 33

I_n [A]	Colour	Code No. DZ*	Code No. gG, TDZ*	Weight [g]	Packaging [pcs]
32	violet		002313404	48	5/250
35	black	002313101	002313401	48	5/250
40	black		002313405	48	5/250
50	white	002313102	002313402	49	5/250
63	copper	002313103	002313403	52	5/250

* DZ and TDZ time-current characteristics correspond to standard CEE16 from 1970 as date of issue. DZ refers to a "fast" or in German "flink" fuse, in the meantime TDZ refers to a "slow" or in German "Traege" fuse.

In accordance with the development of standards, TDZ time-current characteristics were unified with gG time-current characteristic according to IEC 60269-2 and VDE 0636-301, so now both characteristics are unified and their meaning stays the same - "slow" means TDZ and gG at the same time.

DZ time-current characteristics remain unchanged. It is faster than TDZ, but in any case DZ characteristics should not be compared with gR or aR time-current characteristics which are designed for power semiconductor protection.

Low voltage fuse-links

DIII AC 690V, DC 600V

I_n [A]	Colour	Code No. gG	Weight [g]	Packaging [pcs]
2	pink	002313501	68	5/200
4	brown	002313502	68	5/200
6	green	002313503	68	5/200
10	red	002313504	69	5/200
16	grey	002313505	69	5/200
20	blue	002313506	71	5/200
25	yellow	002313507	72	5/200
35	black	002313508	78	5/200
50	white	002313509	80	5/200
63	copper	002313510	80	5/200

These fuse links require fuse carriers with special dimensions. Please contact support for more information.

DIII 750V gF

I_n [A]	Colour	Code No. gF	Weight [g]	Packaging [pcs]
2	pink	002313601	68	5/200
4	brown	002313602	68	5/200
6	green	002313603	68	5/200
10	red	002313604	69	5/200
16	grey	002313605	69	5/200
20	blue	002313606	71	5/200
25	yellow	002313607	72	5/200
35	black	002313608	78	5/200
50	white	002313609	80	5/200
63	copper	002313610	80	5/200

These fuse links require fuse carriers with special dimensions. Please contact support for more information.

DIII AC 1200V 3-channel gF

I_n [A]	Colour	Code No. gF	Weight [g]	Packaging [pcs]
2	pink	002313620	68	5/200
4	brown	002313621	68	5/200
6	green	002313622	68	5/200
10	red	002313623	69	5/200
16	grey	002313624	69	5/200
20	blue	002313625	71	5/200
25	yellow	002313626	72	5/200
35	black	002313627	78	5/200

These fuse links require fuse carriers with special dimensions and special fuse bases. Please contact support for more information.

DIV for fuse base R1 1/4"

I_n [A]	Colour	Code No. DZ*	Code No. gG, TDZ*	Weight [g]	Packaging [pcs]
80	silver	002314101	002314401	105	3/48
100	red	002314102	002314402	110	3/48

DV for fuse base R 2"

I_n [A]	Colour	Code No. DZ*	Code No. gG, TDZ*	Weight [g]	Packaging [pcs]
125	yellow	002315101	002315401	185	10/60
160	copper	002315102	002315402	210	10/60
200	blue	002315103	002315403	215	10/60



Fuse bases

1-pole fuse base

Rated current
25, 63 A



Fuse base EZN, EZV

Type	I_n [A]	Code No.	Screw	Weight [g]	Packaging [psc]
EZN 25°	25	002322009	E27	104	15/120
EZV 25	25	002322011	E27	102	15/105
EZN 25-ZP*	25	002322016	E27	120	10/70
EZV 25-ZP*	25	002322017	E27	112	10/60
EZN 63°	63	002323008	E33	148	15/90
EZV 63	63	002323010	E33	146	15/90
EZN 63-ZP*	63	002323028	E33	163	10/60
EZV 63-ZP*	63	002323029	E33	153	10/60
EZN 63-M6°	63	002323013	E33	148	15/90
EZV 63-M6	63	002323020	E33	146	15/90

* EZV - for mounting with Screws

* EZN - for mounting on rail

* ZP - base with protection cover

At request, vibration-tested EZN 25, 63, 63-M6 fuse bases are available according to the LRS-Lloyd's register of Shipping 1961 Vibration Test 2.

3-pole fuse base

Rated current
25, 63 A



Fuse base EZN/3, EZV/3 - LINEAR

Type	I_n [A]	Code No.	Screw	Weight [g]	Packaging [pcs]
EZN 25/3	25	002322025	E 27	352	4/60
EZV 25/3	25	002322026	E 27	346	4/60
EZN 63/3	63	002323016	E33	488	6/24
EZV 63/3	63	002323017	E33	484	6/24

Fuse bases

D fuse base - new generation

Fuse base EZR

Type	I _n [A]	Code No.	Screw	Packaging [pcs]
EZR 25	25	002322027	E27	15/105
EZR 63	63	002323031	E33	15/90

Set EZR 25

Type	I _n [A]	Code No.	Screw	Packaging [pcs]
SET EZR 25 2p-GEG 25.2	25	002322100	E27	-/112
SET EZR 25 3p-GEG 25.3	25	002322101	E27	-/80
SET EZR 25 4p-GEG 25.4	25	002322102	E27	-/56
SET EZR 25 5p-GEG 25.5	25	002322103	E27	-/50
SET EZR 25 6p-GEG 25.6	25	002322104	E27	-/40
SET EZR 25 7p-GEG 25.7	25	002322105	E27	-/32
SET EZR 25 8p-GEG 25.8	25	002322106	E27	-/28
SET EZR 25 9p-GEG 25.9	25	002322107	E27	-/24
SET EZR 25 10p-GEG 25.10	25	002322108	E27	-/25

Set EZR 63

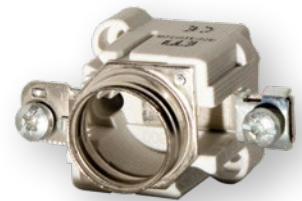
Type	I _n [A]	Code No.	Screw	Packaging [pcs]
SET EZR 63 2p-GEG 63.2	63	002323110	E33	-/81
SET EZR 63 3p-GEG 63.3	63	002323111	E33	-/54
SET EZR 63 4p-GEG 63.4	63	002323112	E33	-/36
SET EZR 63 5p-GEG 63.5	63	002323113	E33	-/31
SET EZR 63 6p-GEG 63.6	63	002323114	E33	-/27

Fuse base EZV GS

Type	I _n [A]	Code No.	Screw	Packaging [pcs]
EZV 25 GS	25	002322028	E27	15/105
EZV 63 GS	63	002323032	E33	15/90

Accessories

Type	Code No.	Packaging [pcs]
Protective cover GB 25.1	002352005	100/500
Protective cover GB 25.3	002352006	50/200
Protective cover GB 63-52	002353005	100/400
Protective cover GB 63-60	002353006	100/400
Plastic mounting plate GSA 25	002352007	100/500
Plastic mounting plate GSA 63	002353007	100/400



Accessories

Gauge piece



VD II for fuse base E 27

I_n [A]	Colour	Code No.	Weight [g]	Packaging [pcs]
2	pink	002342001	13	25/450
4	brown	002342002	13	25/450
6	green	002342003	13	25/450
10	red	002342004	11	25/450
16	grey	002342005	11	25/450
20	blue	002342006	11	25/450
25	yellow	002342007	11	25/450



VD III for fuse base E 33

I_n [A]	Colour	Code No.	Weight [g]	Packaging [pcs]
35	black	002343001	19	25/300
50	white	002343002	18	25/300
63	copper	002343003	16	25/300

Fuse carrier D



Fuse carrier K DII

Type	I_n [A]	Code No.	Screw	Weight [g]	Packaging [pcs]
K DII	25	002332003	E 27	35	50/600

Fuse carrier K DIII

Type	I_n [A]	Code No.	Screw	Weight [g]	Packaging [pcs]
K DIII	63	002333002	E 33	59	30/360

Protection cover



1-pole protection cover for fuse base

Type	I_n [A]	Code No.	Screw	Weight [g]	Packaging [pcs]
EZN, EZV	25	002352001	E 27	16	30/390
EZN, EZV	63	002353002	E 33	12	30/360



3-pole protection cover for fuse base

Type	Code No.	Weight [g]	Packaging [pcs]
EZN, EZV 25/3	002352003	40	12/120
EZN, EZV 63/3	002353004	40	12/120

Busbar system for 1-pole fuse base EZR

Busbar for fuse base EZR

Type	I _n [A]	Code No.	Screw	Weight [g]	Packaging [pcs]
EZR	25	002923032	E 27	380	50
EZR	63	002923033	E 33	380	50



Terminal for neutral terminal and busbar EZR

Code No.	For cross section [mm ²]	Weight [g]	Packaging [pcs]
002923040	16	9	100/2200
002923041	35	21	100/2200

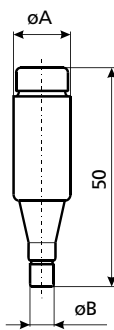


Fuse-link D

Technical data	
Rated voltage U_n	500 V AC, 600 V AC, 750 V AC, 1200 V AC, 400 V DC
Rated current I_n	DI, DII 2 - 25 A, DIII 32 - 63 A DIV 80 - 100 A, DV 125 - 200 A
Breaking capacity at 1,1 U_n	50 kA AC $\cos\phi=0,2$ 8 kA DC $T=15\text{ ms}$
Fusing characteristics	gG, TDZ, DZ
Insulating class	C - VDE 0110
Standards	DIN EN 60269-1, IEC 60269-1:2005-04 (VDE 0636 Teil 10): 1999-11 DIN EN 60269-3, IEC 60269-3:2003 (VDE 0636 Teil 30): 1995-12 DIN EN 60269-3-1, IEC 60269-3-1: 2004-07 (VDE 0636 Teil 301): 1998-01 DIN VDE 0635/02.84

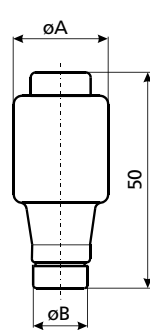
DI for fuse base E 16

I_n [A]	dimension	
	$\varnothing A$	$\varnothing B$
2	13,2	6
4	13,2	6
6	13,2	6
10	13,2	8
16	13,2	10
20	13,2	12
25	13,2	14



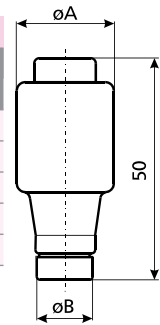
DII for fuse base E 27

I_n [A]	dimension	
	$\varnothing A$	$\varnothing B$
2	21,5	6
4	21,5	6
6	21,5	6
10	21,5	8
13	21,5	8
16	21,5	10
20	21,5	12
25	21,5	14



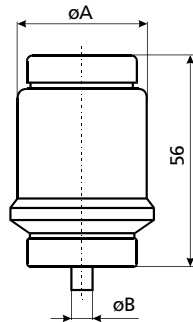
DIII for fuse base E 33

I_n [A]	dimension	
	$\varnothing A$	$\varnothing B$
32	27	16
35	27	16
40	27	16
50	27	18
63	27	20



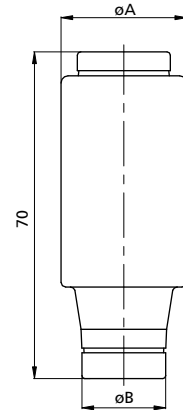
DIV for fuse base R1 1/4"

I_n [A]	dimension	
	$\varnothing A$	$\varnothing B$
80	33	5
100	33	7



DIII gG, 690 V a.c., 600 V d.c.

I_n [A]	dimension	
	$\varnothing A$	$\varnothing B$
2	27	6
4	27	6
6	27	6
10	27	8
16	27	10
20	27	12
25	27	14
35	27	16
50	27	18
63	27	20

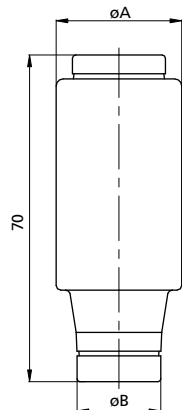


DV for fuse base R 2"

I_n [A]	dimension	
	$\varnothing A$	$\varnothing B$
125	46	5
160	46	7
200	46	9

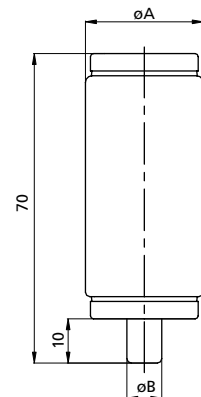
DIII gF, 750V a.c.

I_n [A]	dimension	
	$\varnothing A$	$\varnothing B$
2	27	6
4	27	6
6	27	6
10	27	8
16	27	10
20	27	12
25	27	14
35	27	16

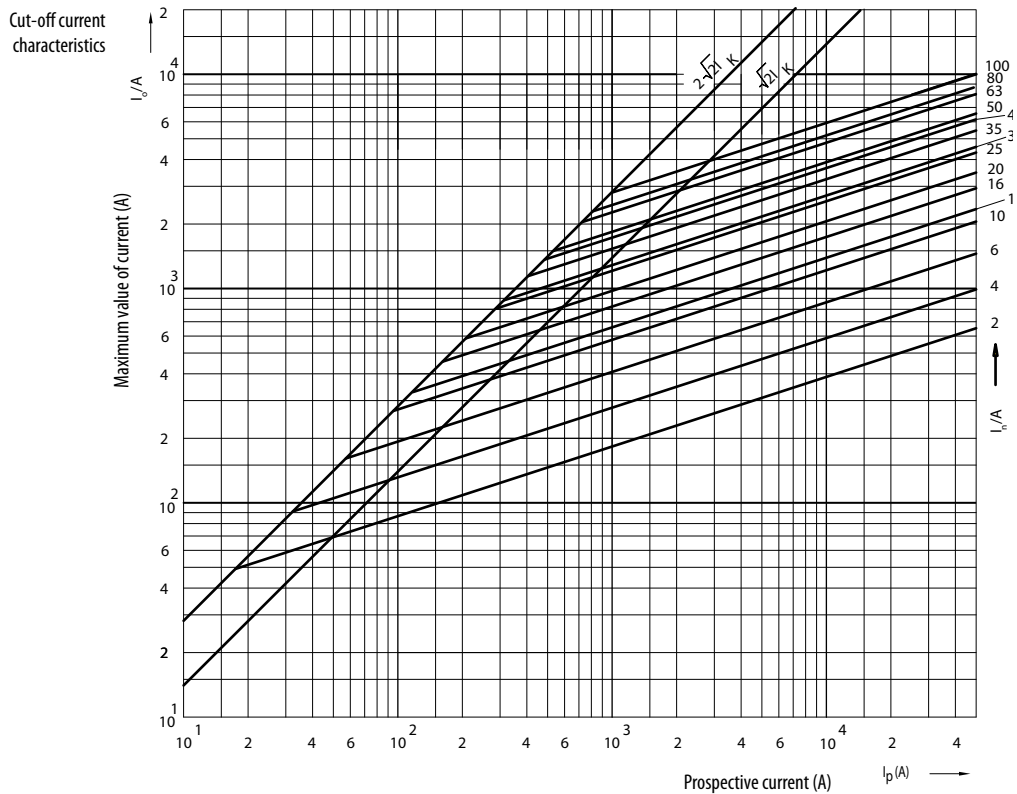
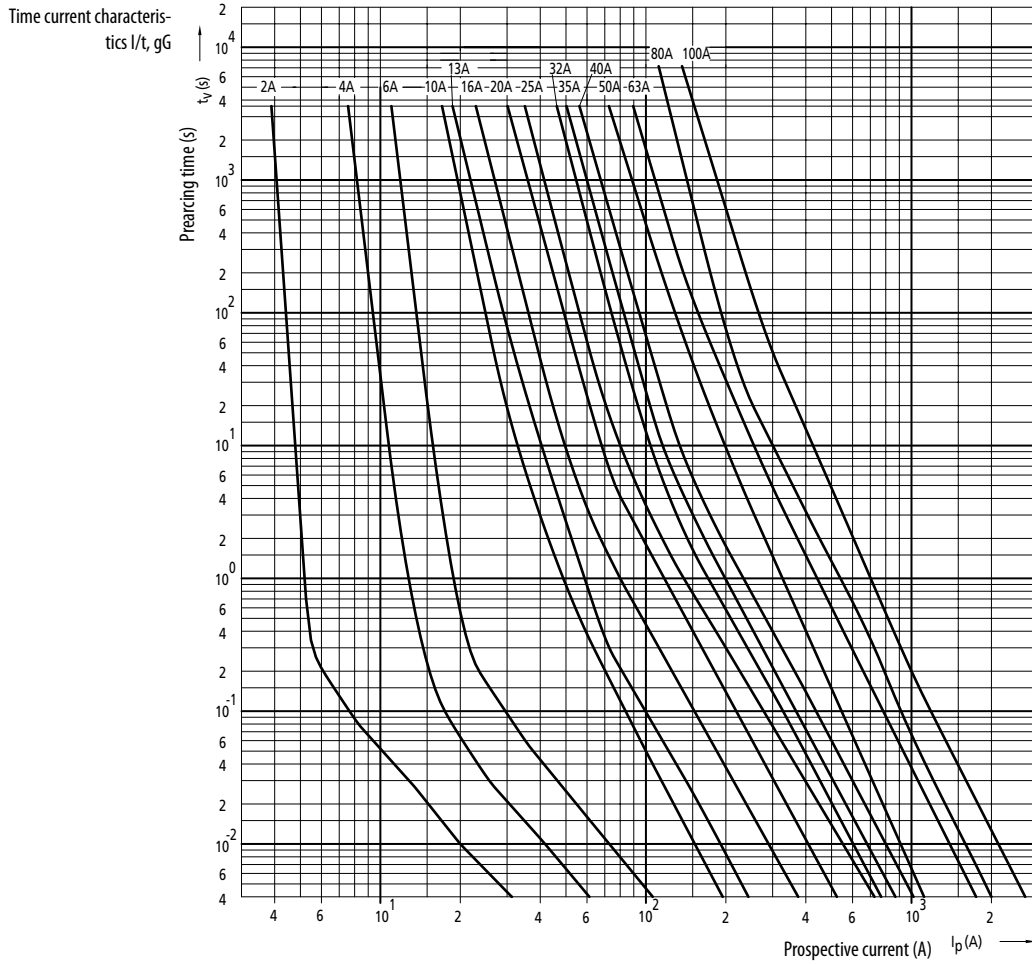


DIII gF, 1200 V a.c.

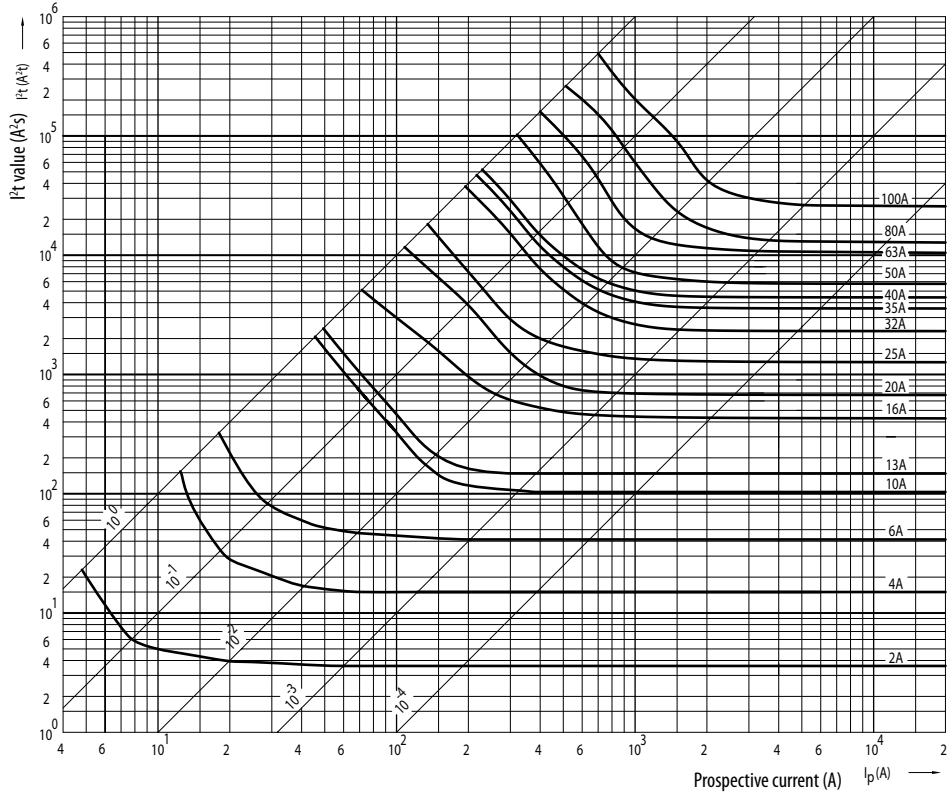
I_n [A]	dimension	
	$\varnothing A$	$\varnothing B$
2	27	6
4	27	6
6	27	6
10	27	8
16	27	10
20	27	12
25	27	14
35	27	16



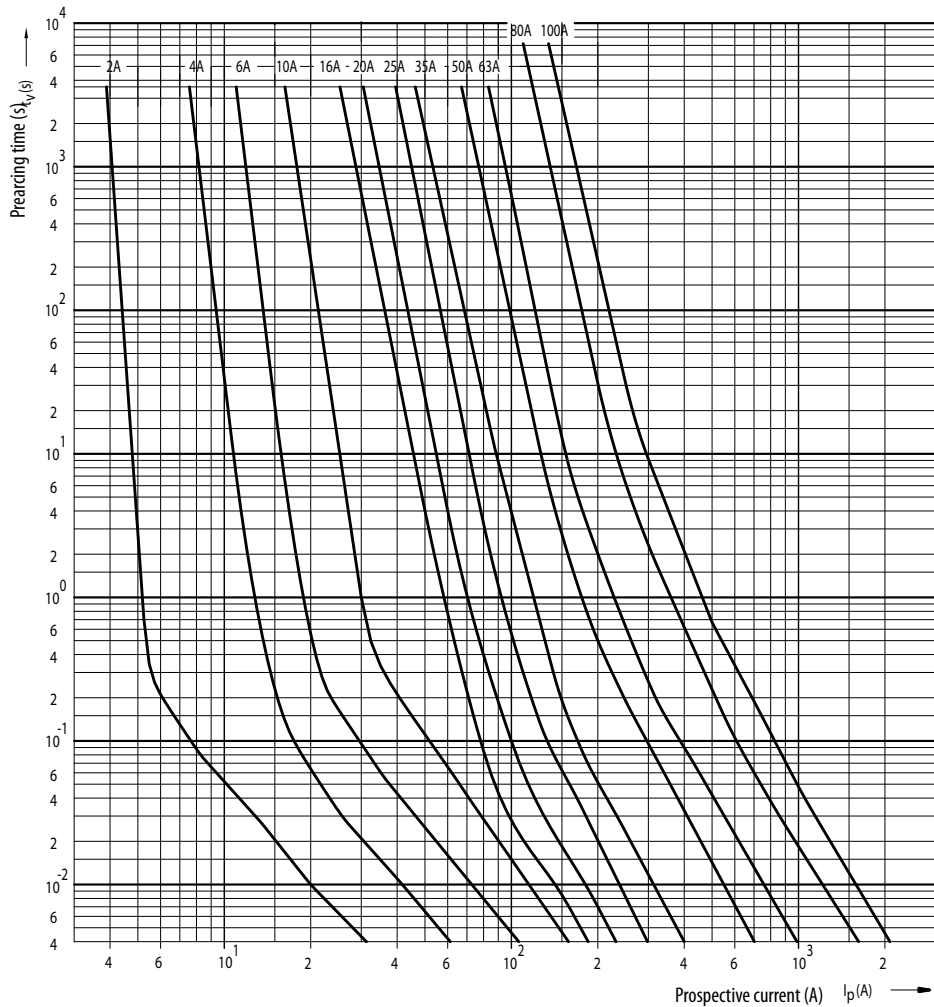
Technical data



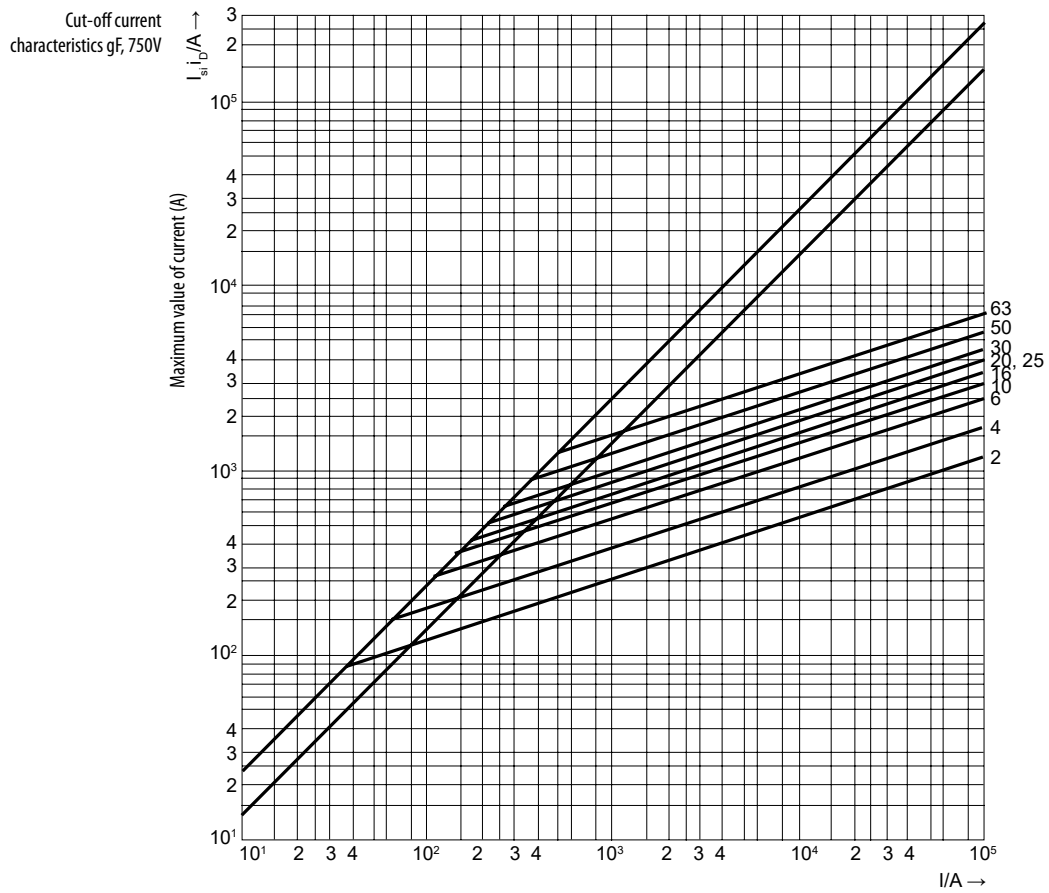
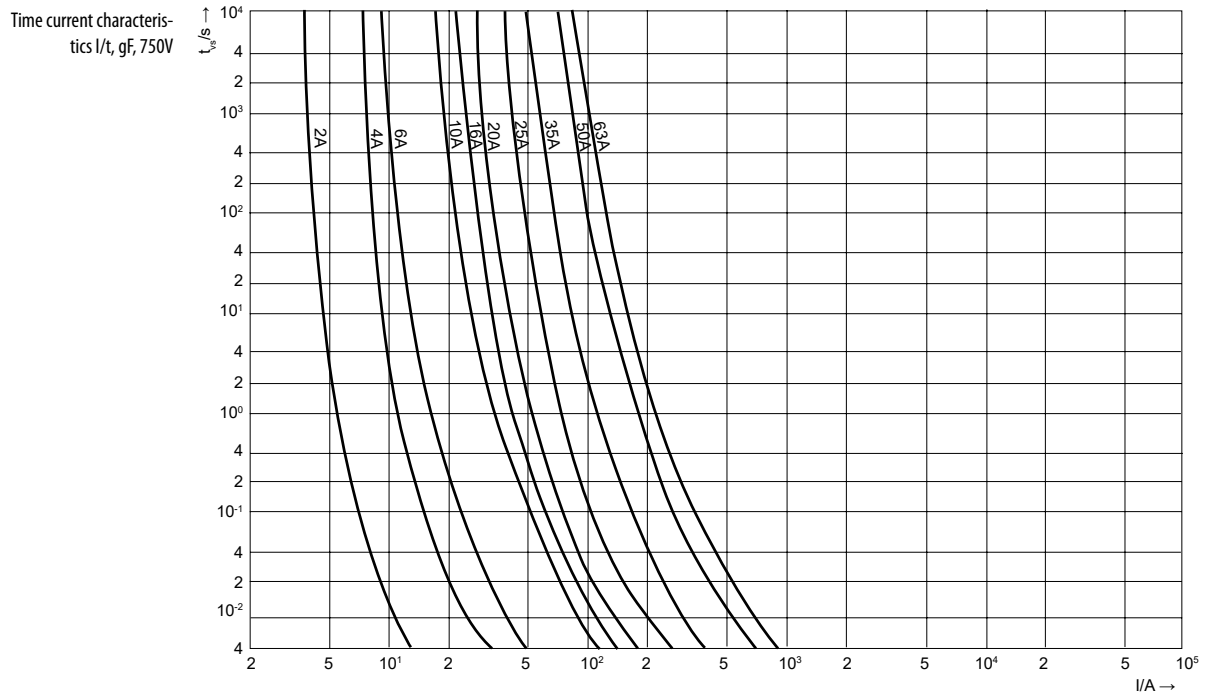
Melting energy characteristics I^2t



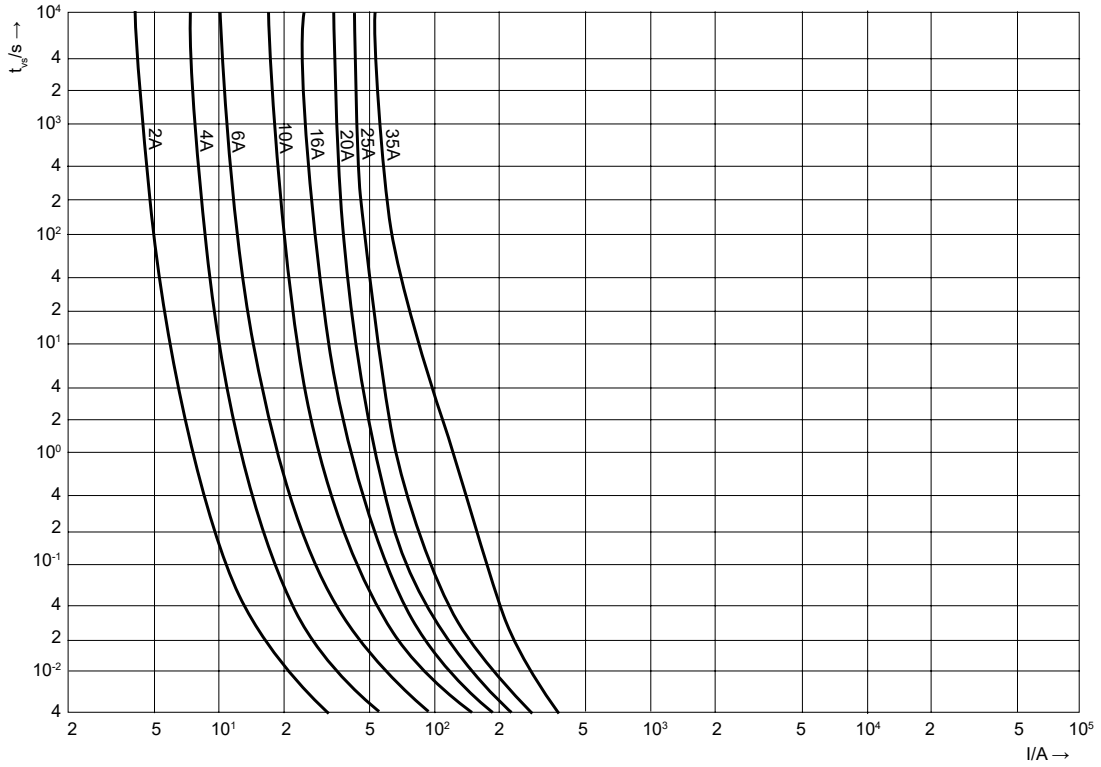
Time current characteristics I/t DZ



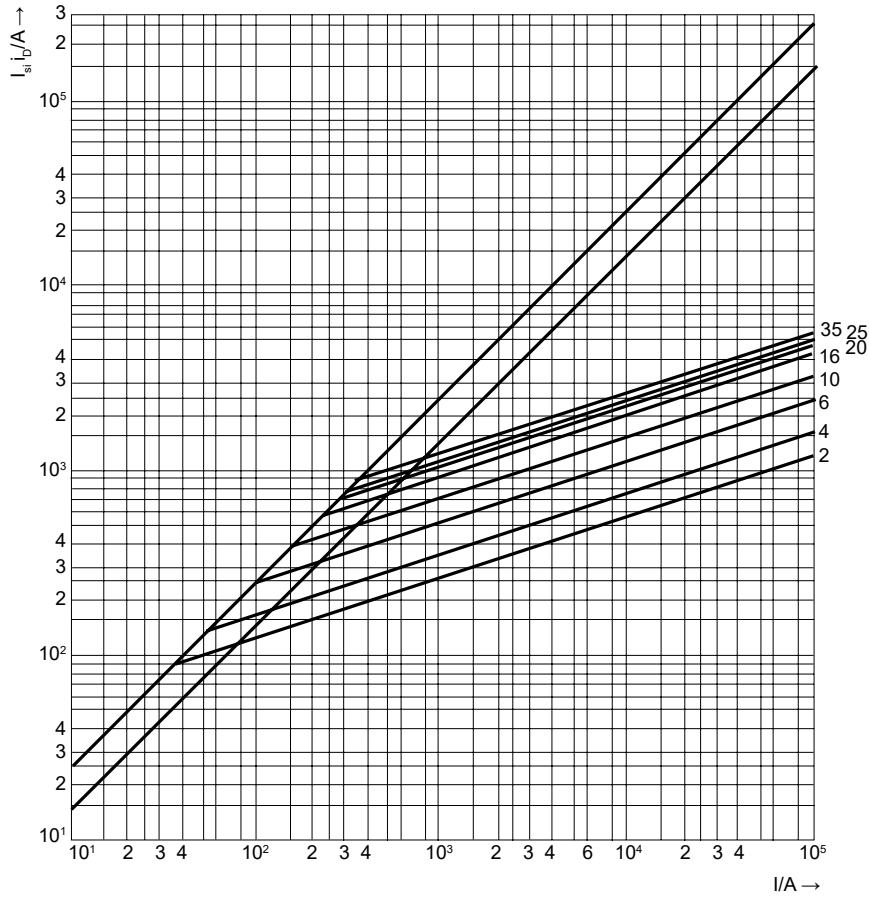
Technical data



Time current characteristics I/t, gF, 1200V



Cut-off current characteristics gF, 1200V

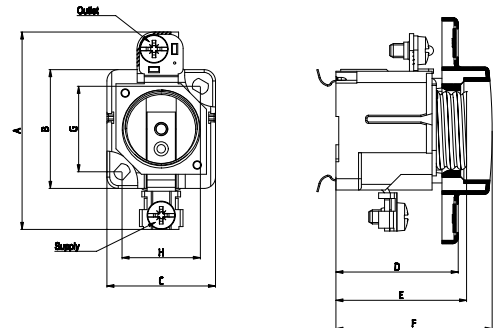


Technical data

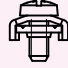
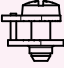
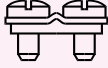
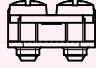
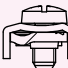
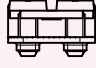
1-pole fuse base

Technical data:

Rated voltage U_n	500 V, 690 V
Rated current I_n	DII 25 A, DIII 63 A
Insulating class	according to IEC 60664-1
Cross-section of connecting lead	DII 1 to 10 mm ² DIII 2,5 to 25 mm ²
Standards, publications	IEC 60269, EN 60269, DIN VDE 0636

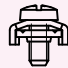
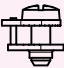
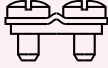
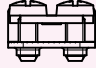


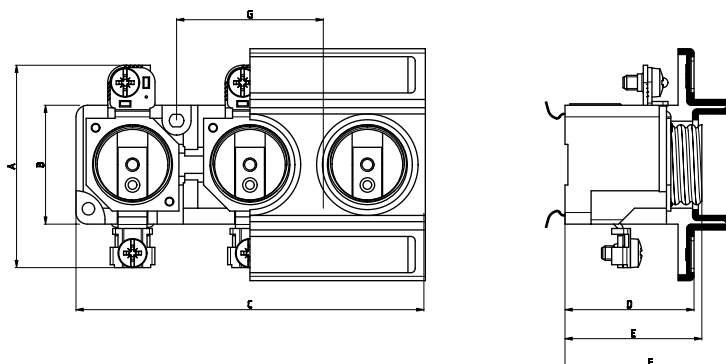
Fuse base EZN, EZV

type	[A]	Connection		dimension							
		Supply	Outlet	A	B	C	D	E	F	G	H
EZN 25	25			70	42	39	44	47	56	30	27
EZV 25	25			70	42	39	44	47	56	30	27
EZN 25-ZP	25			70	42	39	44	47	56	30	27
EZV 25-ZP	25			70	42	39	44	47	56	30	27
EZN 63	63			80	46	46	44	47	56	35	35
EZV 63	63			80	46	46	44	47	56	35	35
EZN 63-ZP	63			80	46	46	44	47	56	35	35
EZV 63-ZP	63			80	46	46	44	47	56	35	35
EZN 63-M6	63			80	46	46	44	47	56	35	35
EZV 63-M6	63			80	46	46	44	47	56	35	35

3-pole fuse base

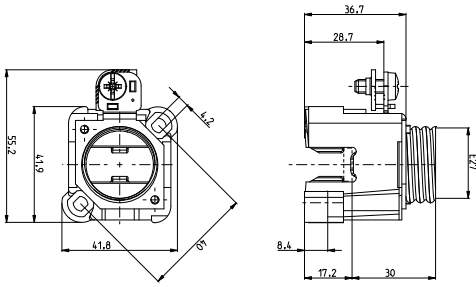
Fuse base EZN/3, EZV/3 - LINEAR

type	[A]	Connection		dimension						
		Supply	Outlet	A	B	C	D	E	F	G
EZN 25/3	25			70	41	121	44	47	59	50
EZN 25/3-ZP	25			70	41	121	44	47	59	50
EZN 63/3	63			80	43	148	44	47	56	62
EZN 63/3-ZP	63			80	43	148	44	47	56	62



D fuse base - new generation

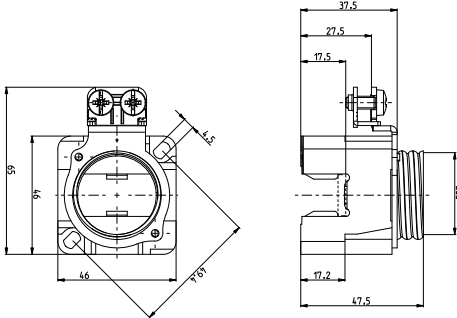
Fuse base EZR 25



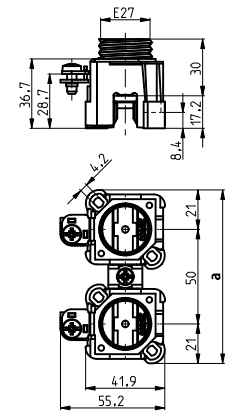
Fuse base EZR

type	Connection		Cross-section of connecting lead	
	Supply	Outlet	Supply [mm ²]	Outlet [mm ²]
EZR 25	M9	M5	35	1 - 10
EZR 63	2x M5	2x M5	35	2.5 - 25

Fuse base EZR 63



SET EZR 25 2p - 10p

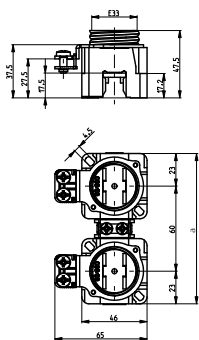


SET EZR 25 2p

Fuse base EZR 25

type	connection		Cross-section of connecting lead		Dimension a
	Supply	Outlet	Supply [mm ²]	Outlet [mm ²]	
SET EZR 25 2p-GEG 25.2	M9	M5	35	1 - 10	92
SET EZR 25 3p-GEG 25.3			35	1 - 10	142
SET EZR 25 4p-GEG 25.4			35	1 - 10	192
SET EZR 25 5p-GEG 25.5			35	1 - 10	242
SET EZR 25 6p-GEG 25.6			35	1 - 10	292
SET EZR 25 7p-GEG 25.7			35	1 - 10	342
SET EZR 25 8p-GEG 25.8			35	1 - 10	392
SET EZR 25 9p-GEG 25.9			35	1 - 10	442
SET EZR 25 10p-GEG 25.10			35	1 - 10	491

SET EZR 63 2p - 6p



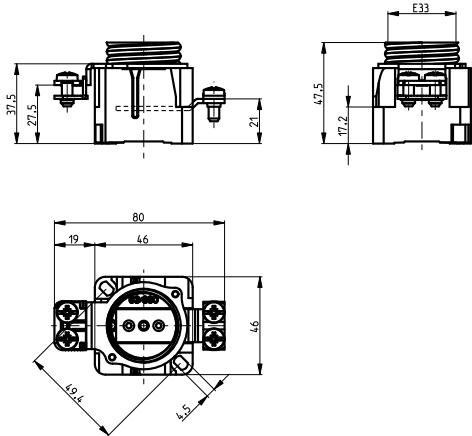
SET EZR 63 2p

Fuse base EZR 63

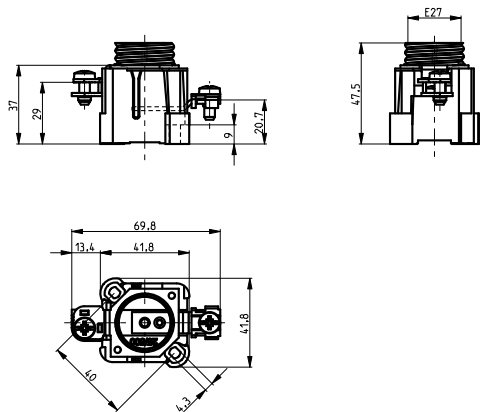
type	Connection		Cross-section of connecting lead		Dimension a
	Supply	Outlet	Supply [mm ²]	Outlet [mm ²]	
SET EZR 63 2p-GEG 63.2	2x M5	2x M5	35	2.5 - 25	106
SET EZR 63 3p-GEG 63.3			35	2.5 - 25	166
SET EZR 63 4p-GEG 63.4			35	2.5 - 25	226
SET EZR 63 5p-GEG 63.5			35	2.5 - 25	286
SET EZR 63 6p-GEG 63.6			35	2.5 - 25	346

Technical data

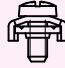
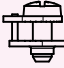
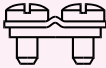
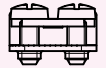
Fuse base EZV 63 GS



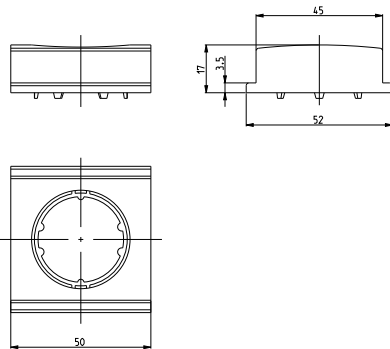
Fuse base EZV 25 GS



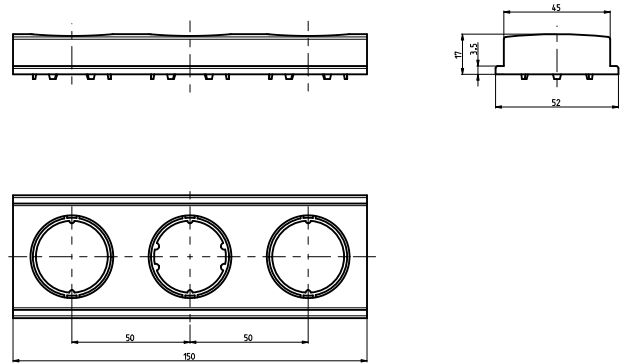
Fuse base EZV

type	Connection		Cross-section of connecting lead	
	Supply	Outlet	Supply [mm ²]	Outlet [mm ²]
EZV 25 GS	 M5	 M5	1 - 10	1 - 10
EZV 63 GS	 2x M5	 2x M5	2.5 - 25	2.5 - 25

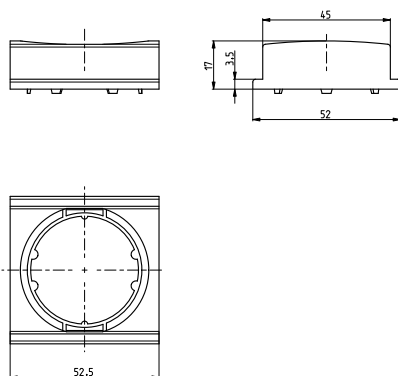
Protective cover GB 25.1



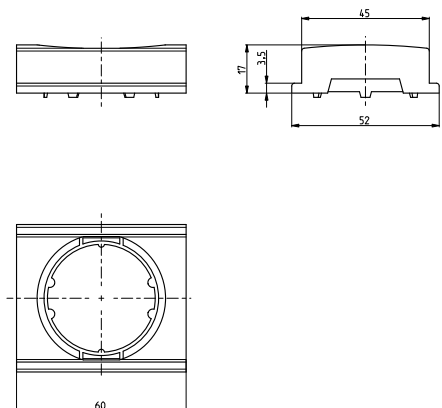
Protective cover GB 25.3



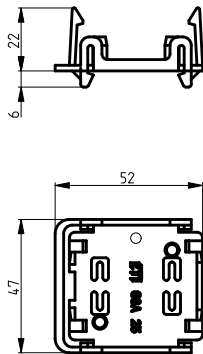
Protective cover GB 63-52



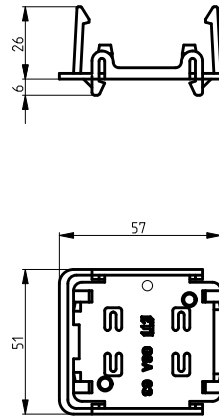
Protective cover GB 63-60



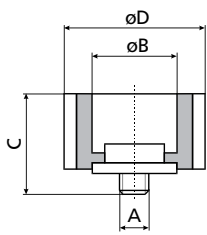
Plastic mounting plate GSA 25



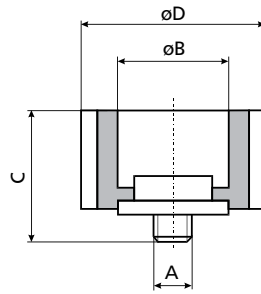
Plastic mounting plate GSA 63



Gauge Piece



VD II for fuse base E 27



VD III for fuse base E 33

VD II for fuse base E 27

I _n [A]	dimension			
	A	B	C	D
2	3/16"	6,5	17	24
4	3/16"	6,5	17	24
6	3/16"	6,5	17	24
10	3/16"	8,5	17	24
16	3/16"	10,5	17	24
20	3/16"	12,5	17	24
25	3/16"	14,5	17	24

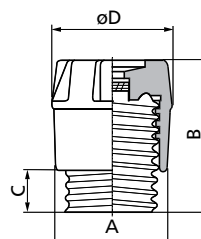
VD III for fuse base E 33

I _n [A]	dimension			
	A	B	C	D
35	3/16"	16,5	17	30
50	3/16"	18,5	17	30
63	3/16"	20,5	17	30

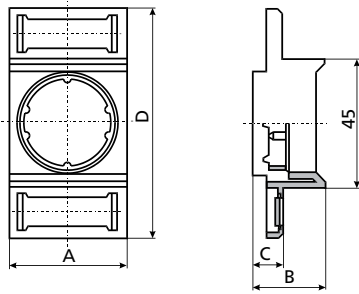
Fuse carrier D

Fuse carrier

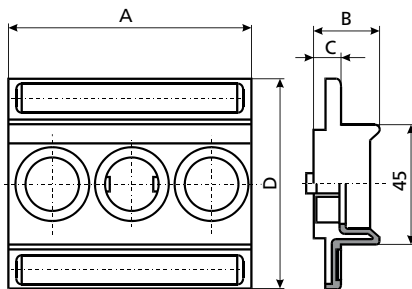
type	dimension			
	A	B	C	D
K DII	34	44	12	35
K DIII	43	44	12	43



Protection cover

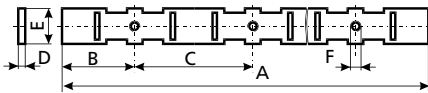

1-pole protection for fuse base

type	I_n [A]	dimension			
		A	B	C	D
EZN, EZV	25	40	24	10,8	80
EZN, EZV	63	49	21	9	80

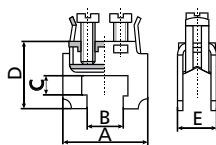

3-pole protection cover for fuse base

type	dimension			
	A	B	C	D
EZN, EZV 25/3	121	24	10,8	80
EZN, EZV 63/3	148	21	9	80

Busbar system for 1-pole fuse base EZR


Busbar for fuse base EZR

type	I_n [A]	dimension					
		A	B	C	D	E	F
EZR	25	1000	32	52	3	16	3/16"
EZR	63	1000	38	62	3	16	3/16"


Terminals for neutral terminals and busbars EZR

for cross section [mm ²]	dimension				
	A	B	C	D	E
16	25	12,5	3,5	17	7,3
35	28	12,5	6,5	21,5	12,6

