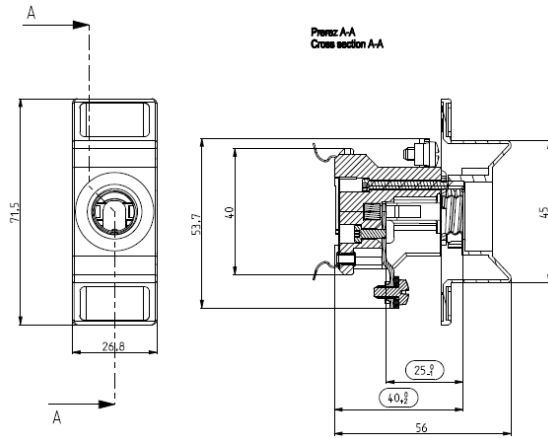


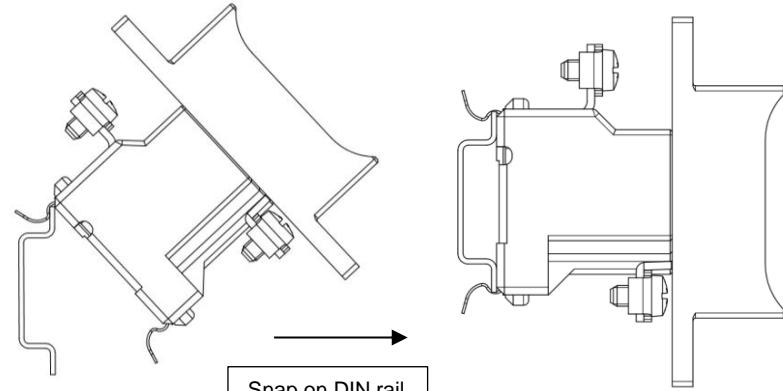
Ceramic fuse base D01 D02

Dimensions [mm]

Installation



Type	D01 1p	D01 3p	D02 1p	D02 3p
B [mm]	26,8	80,4	26,8	80,4

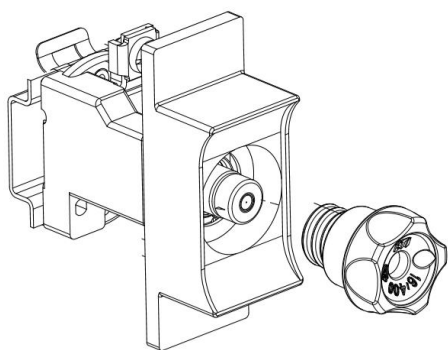


Snap on DIN rail

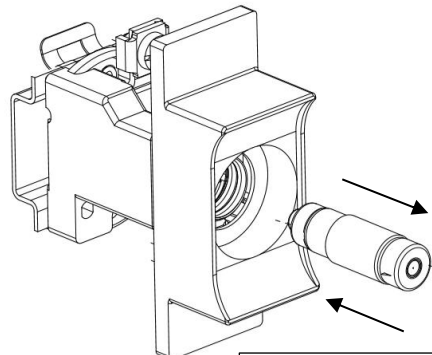
CAUTION!
Installation by electricians only!

Fuse link replacement

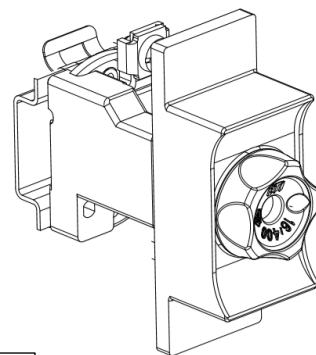
Disassembly



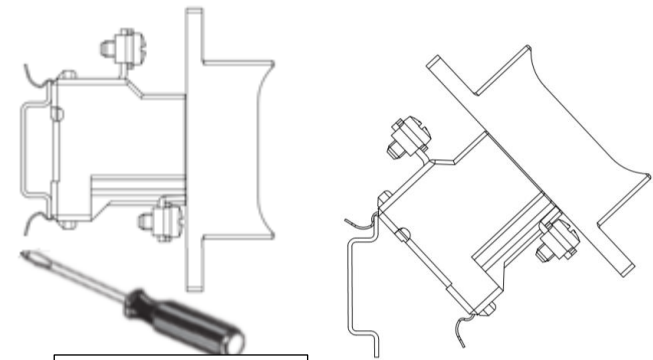
Unscrew the fuse carrier



Replace the fuse link



Screw back the fuse carrier

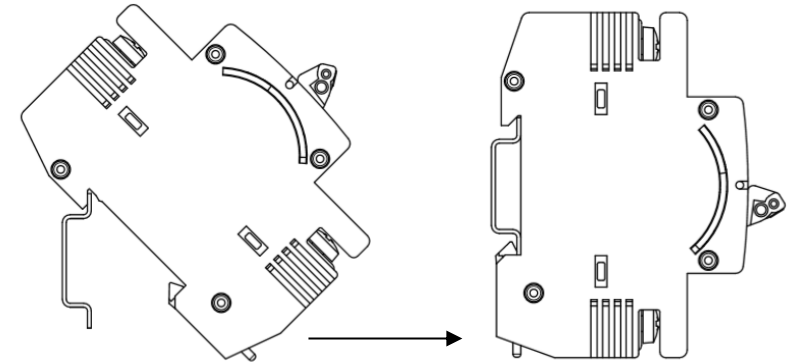
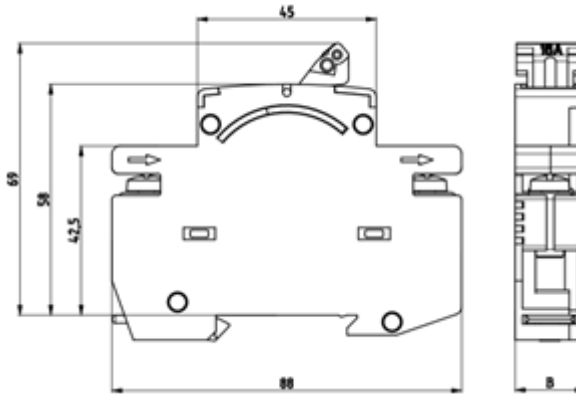


Using a screwdriver pull down on the metal snap-on unit

Fuse-switch disconnecter VLD01

Dimensions [mm]

Installation



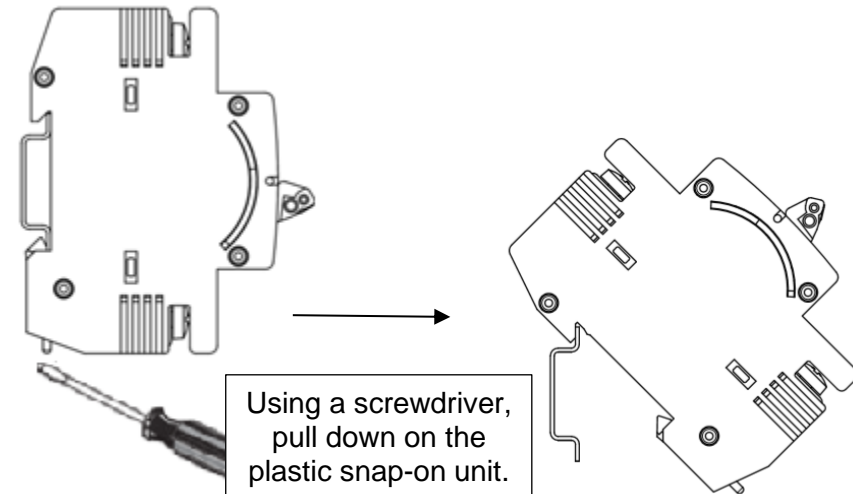
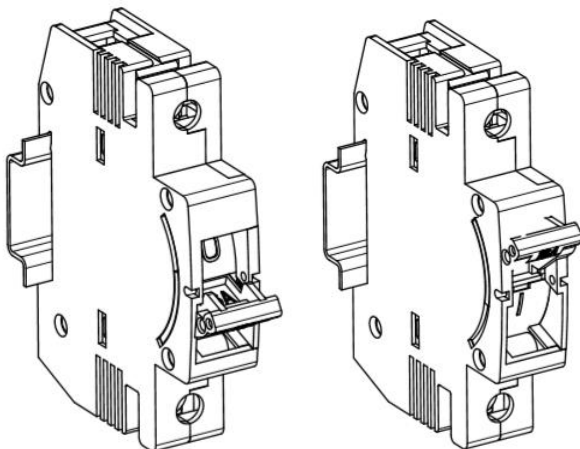
CAUTION!
Installation by electricians only!

TYPE	1p	1p + N	2p	3p	3p + N
B[mm]	17,5	17,5	35	52,5	70,4

Snap on DIN rail.

Disconnecter switched off/on

Disassembly



Using a screwdriver,
pull down on the
plastic snap-on unit.

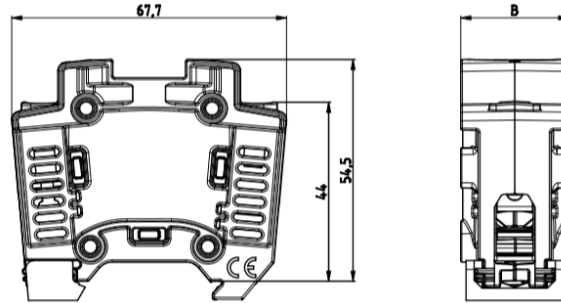
Plastic fuse base PFB D01 D02

INSTALLATION INSTRUCTION

PFB D01 D02

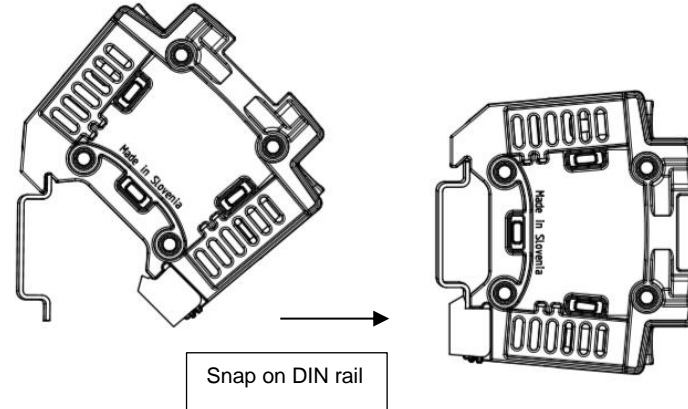


Dimensions [mm]



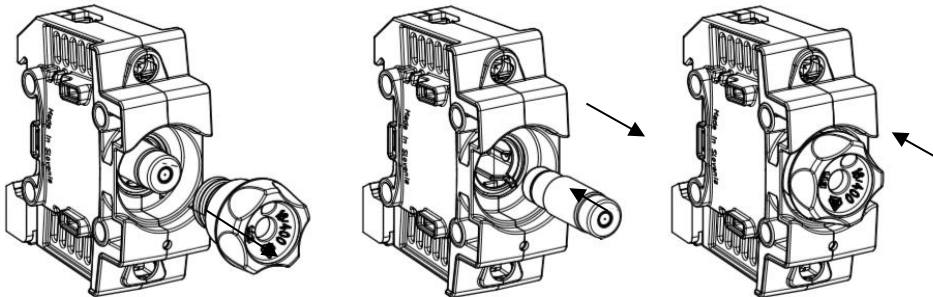
Type	1p	1p LED	3p	3p LED
B [mm]	28,6	28,6	78	78

Installation



CAUTION!
Installation by electricians only!

Fuse link replacement

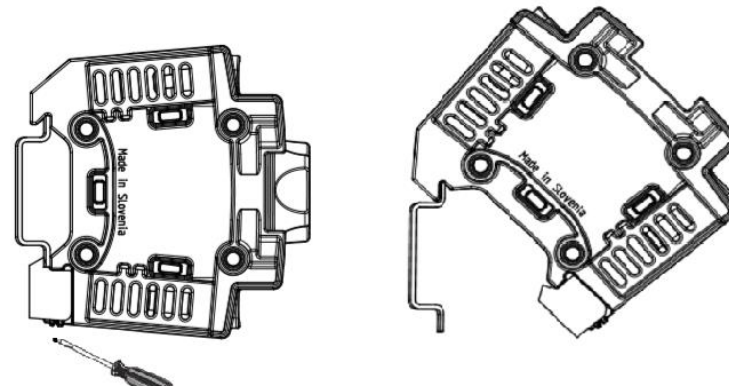


Unscrew the cap

Replace the fuse link

Screw the cap back

Disassembly



Using a screwdriver
pull down on the
plastic snap-on unit



ETI, d.o.o.
Obrezija 5
SI-1411 Izlake



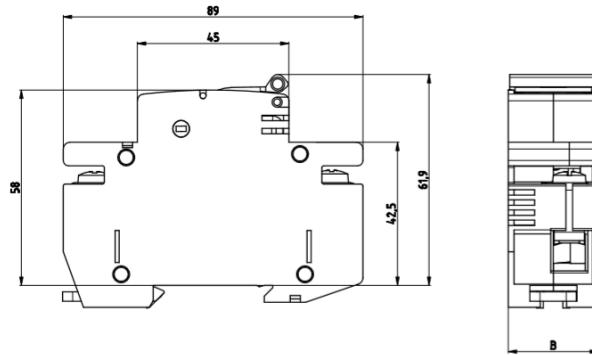
Switch-disconnector-fuse STVD02

INSTALLATION INSTRUCTION

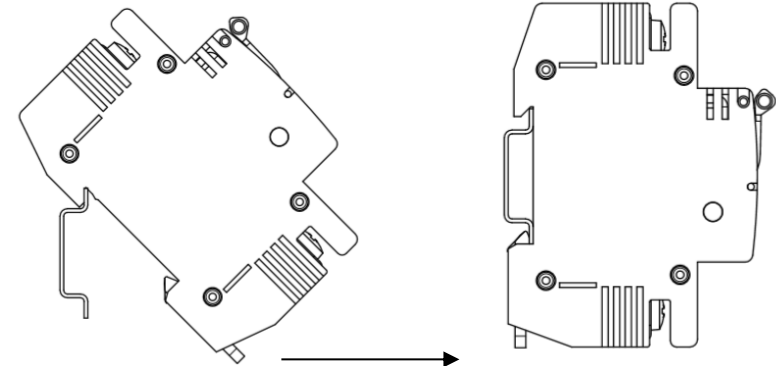
Switch-disconnector-fuse STVD02

Dimensions [mm]

Installation



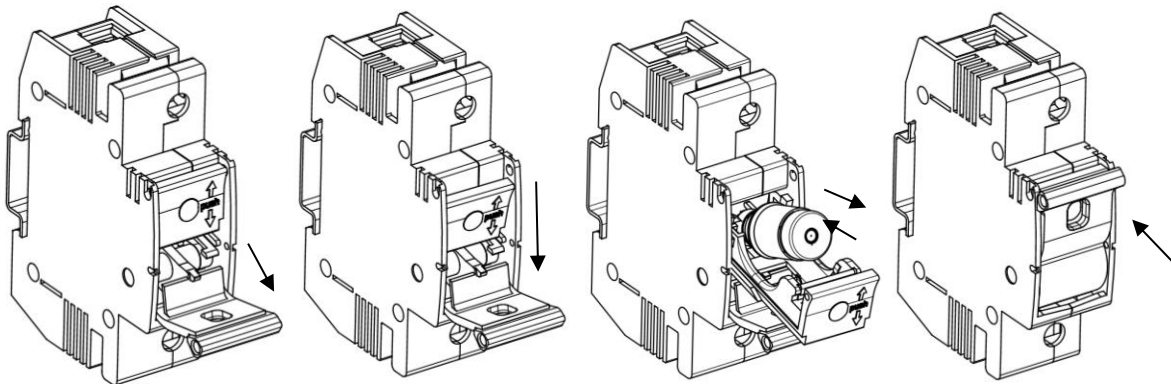
TYPE	1p	1p + N	2p	3p	3p + N
B [mm]	26,8	53,6	53,6	80,4	107,2



Snap on DIN rail.

Fuse link replacement

Disassembly

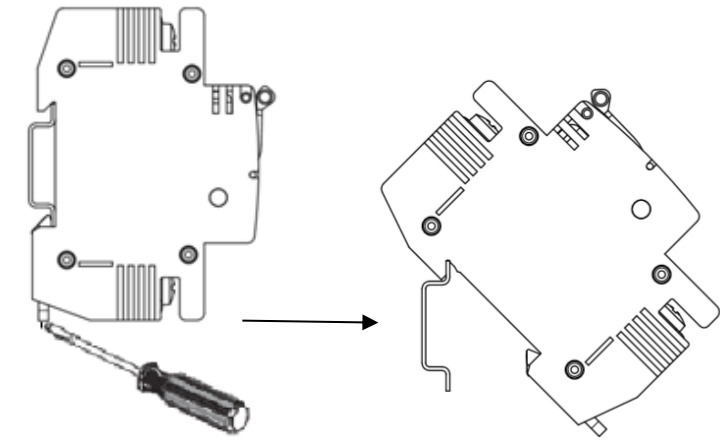


Open the panel.

Push down the fuse-link holder.

Replace the fuse-link.

Push back the fuse-link holder and close the panel.



Using a screwdriver pull down on the plastic snap-on unit.



ETI, d.o.o.
Obrezija 5
SI-1411 Izlake

