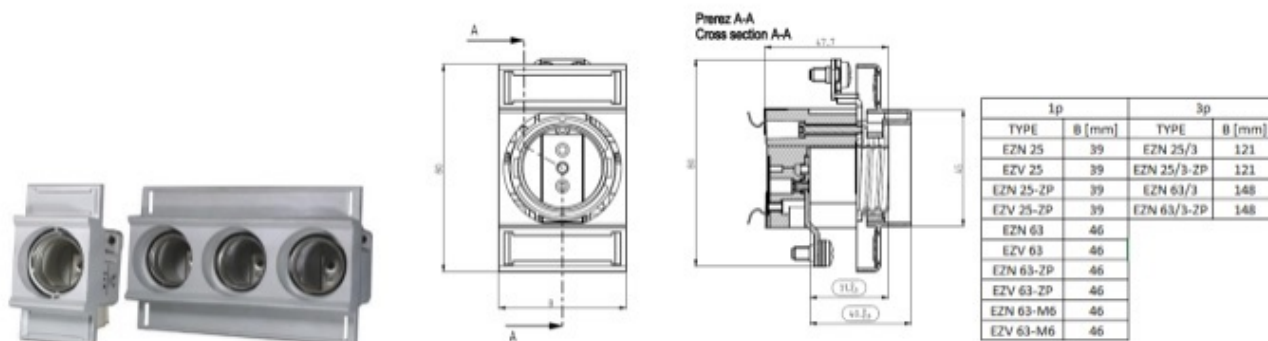


Fuse base D 1p 3p

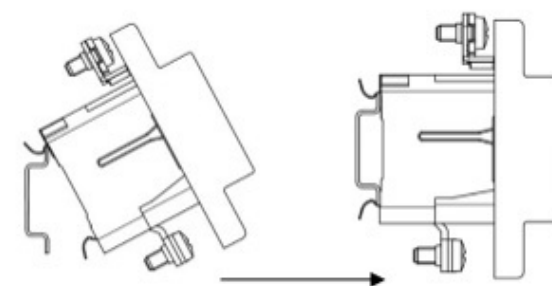
INSTALLATION INSTRUCTION

Fuse base D 1p 3p

Dimensions [mm]

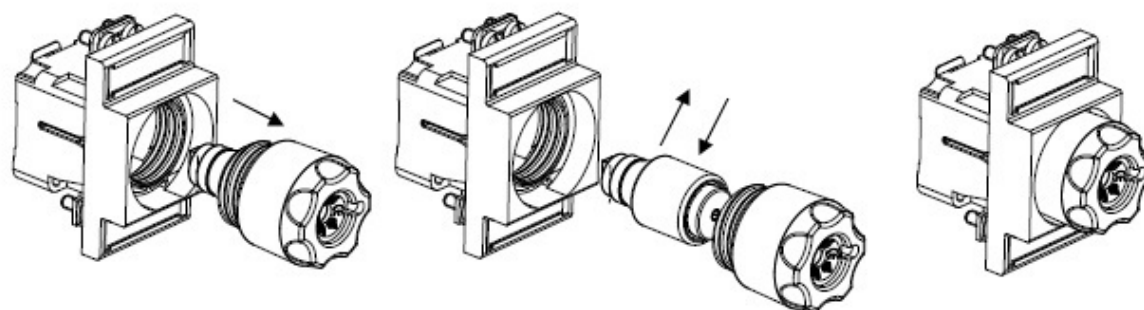


Installation



Snap on DIN

Fuse link replacement

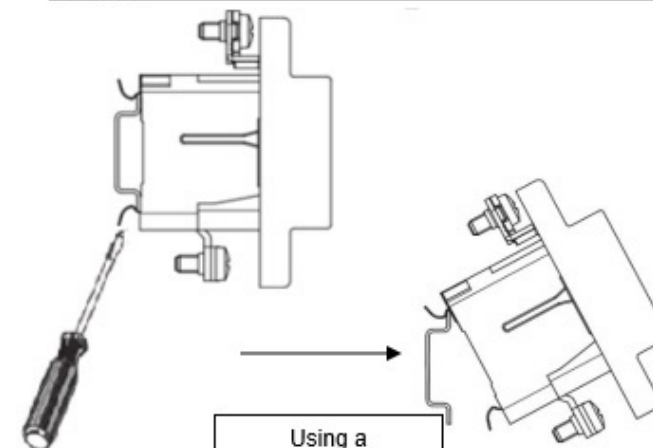


Unscrew the fuse carrier.

Replace the fuse-link.

Screw back the fuse carrier.

Disassembly



Using a screwdriver, pull down on the metal snap-on unit.



ETI, d.o.o.
Obrežja 5
SI-1411 Izlake

