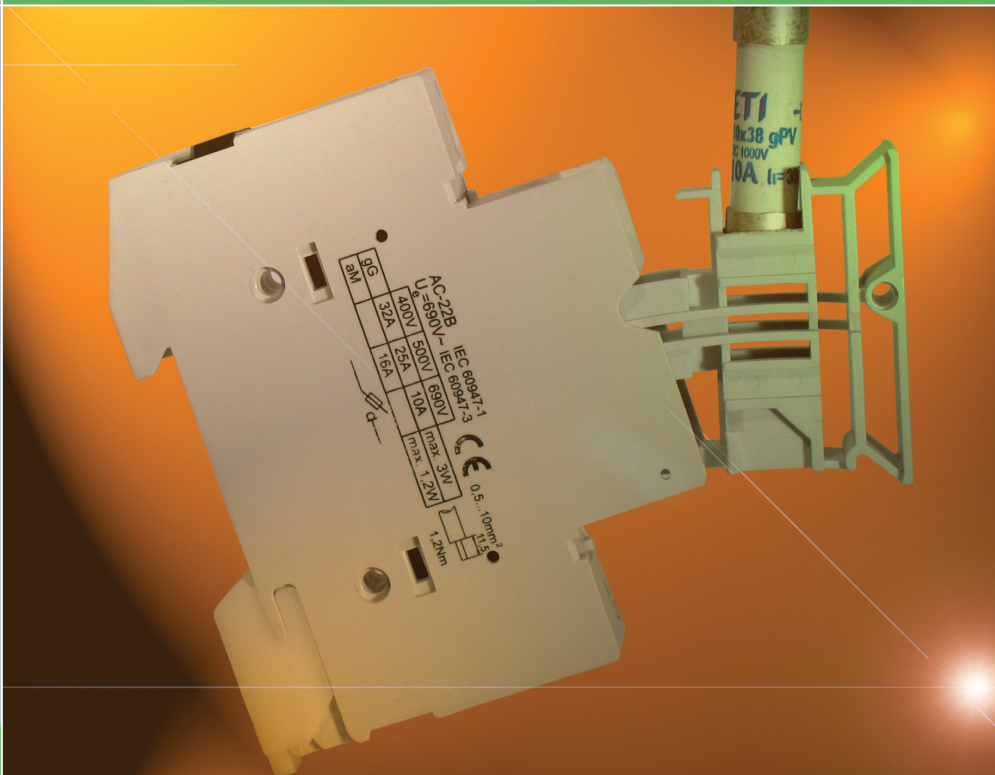


GREEN PROTECT

PROTECTION OF PV SYSTEMS



ETITEC C T2 PV according to standard EN 50539-11:2013

Advantages:

- optical indication of faulty device (green ok, red false)
- remote signalisation (RC version only)
- DIN rail mounting (EN 60715)
- high discharge currents and high degree of protection
- MOV varistor is the protective element
- metal snapper, new way of mounting on DINrail (easier, quicker)
- modular design
- EN 50539-11:2013
- RoHS compliant
- connection up to 35mm²

ETITEC C T2 PV series of overvoltage surge protective devices has been developed to protect against indirect discharges and is intended to protect photovoltaic systems.

The circuit topology consist of two (three) varistors stages each protected by a thermal disconnection device.

NEW!



ETITEC C T2 PV 100, 550/20 RC



ETITEC C T2 PV 1000/20 RC

General characteristics

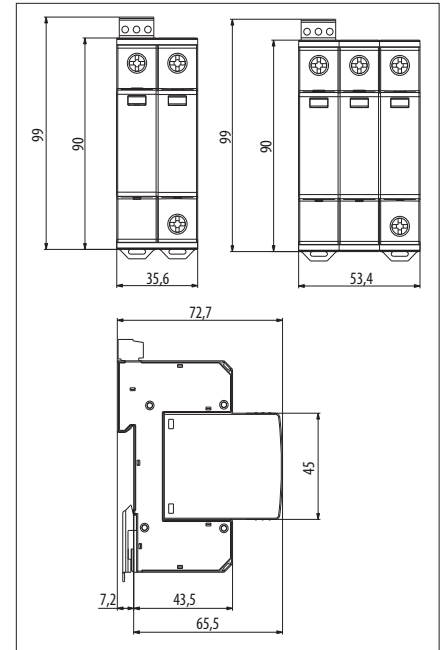
Category IEC/EN/VDE Class II/Type 2/C	High surge discharge ratings: $I_n = 20\text{kA}/\text{per pole}$, $I_{max} = 40\text{kA}/\text{per pole}$
Location of use: Branch sub-distribution boards	Internal protection and safety: Thermal disconnecter for each MOV block
Protective element: High Energy MOVs	Status indication: Mechanical flag + remote signalization contacts (RC)

ETITEC C T2 PV

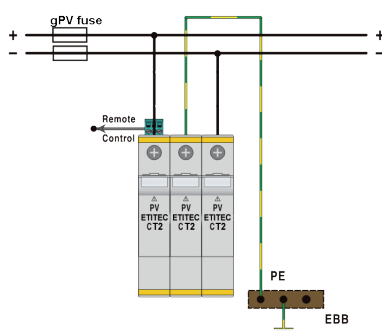
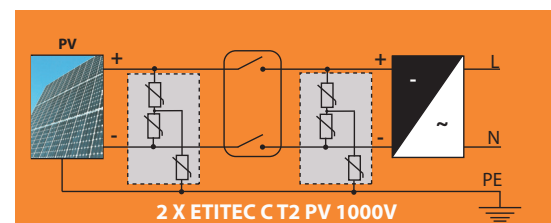
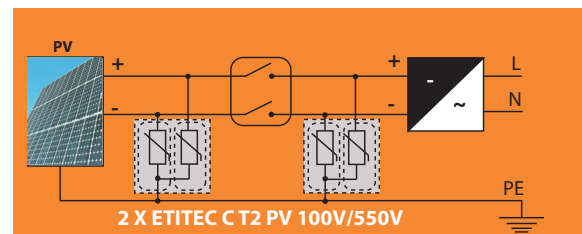
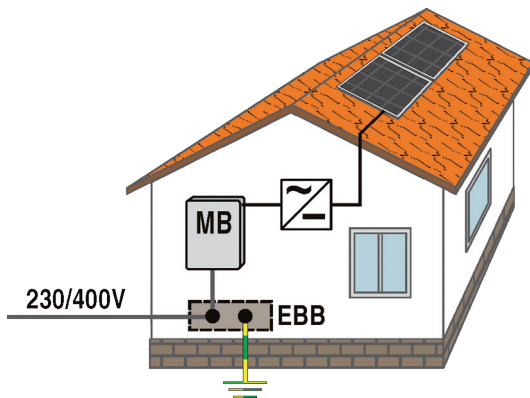
Type	Code No.	Max. PV voltage U _{cpv} [V DC]	I _n /I _{max} (8/20) [kA]	Weight [kg]	Packaging [pcs]
ETITEC C T2 PV 100/20	002440428	100	20/40	0,35	1/7
ETITEC C T2 PV 550/20	002440429	550		0,35	1/7
ETITEC C T2 PV 1000/20	002440430	1000		0,5	1/5
ETITEC C T2 PV 100/20 RC	002440431	100		0,35	1/7
ETITEC C T2 PV 550/20 RC	002440432	550		0,35	1/7
ETITEC C T2 PV 1000/20 RC	002440433	1000		0,5	1/5
MOD.ETITEC C T2 PV 100/20	002440434	100		0,65	12
MOD.ETITEC C T2 PV 550/20	002440435	550		0,65	12
MOD.ETITEC C T2 PV 1000/20	002440436	1000		0,65	12

Note: max. PV voltage U_{cpv} may be higher then U_{ocstc} (open circuit voltage of a PV module under standard test conditions). Safety factor 1,2 is recommended.

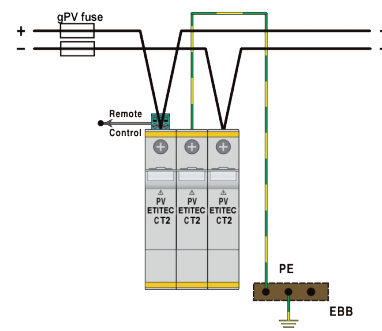
Type	ETITEC C T2 PV xxxxx/20 (8/20)		
	100 V	550 V	1000 V
In accordance with	EN 50539-11:2013		
Max. continuous operating voltage U_{cpv} (DC)	100 V	550 V	1000 V
Nominal discharge current I_n (8/20)	20 kA	20 kA	20 kA
Max. discharge current I_{max} (8/20)	40 kA	40 kA	40 kA
Protection level Up at I_n (8/20)	< 0,7 kV	< 2,1 kV	< 4,0 kV
Follow current I_f	No		
Response time t_A	< 25 ns		
Residual current at U_{cpv}	< 1,5 mA		
Current source generator	1mA		
Un min (MOV)	108 V	644 V	1288 V
Un max (MOV)	132 V	787 V	1574 V
Thermal protection	yes		
I_{scpv}	100 A		
Operating temperature	-40°C ... +70°C		
Storage temperature	-40°C ... +80°C		
Humidity range	5% ... 95%		
Terminal cross section	35 mm ² (solid) / 25 mm ² (stranded)		
Terminal screw torque	Max. 3,0 Nm		
Mounting EN 60715	35 mm top-hat rail		
Degree of protection	IP20		
Housing material	Thermoplastic, extinguishing degree UI 94 V-0		
Dimensions DIN 43880	2 TE	2 TE	3 TE
Remote contacts - type ...RC			
Contacts ratings	AC 250 V / 0,5 A; 125 V / 3 A		
Terminal cross section	Max. 1,5 mm ²		
Terminal screw torque	0,25 Nm		
Packaging dimensions	108 mm x 79 mm x 76 mm		



ETITEC C T2 PV for photovoltaic system on a building without External Lightning Protection



T connection ETITEC C T2 PV



V connection ETITEC C T2 PV

Note: If distance between string and inverter is less than 10 m, then you need only one ETITEC (C) T2.