

## Twilight switch with digital time switch SOU-2 + sensor

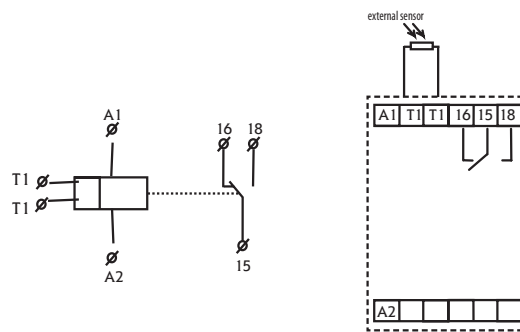
### Advantages

- 1-module, DIN rail mounted
- Supply voltage: AC 230 V
- Switches according to level ambient light intensity
- Adjustable time pause to eliminate short-term illumination peaks
- Adjustable level of light intensity in 2 ranges 100-50000 Lx and 1-100 Lx
- Controlling input for additional control inputs, e.g. time switch
- External sensor, protection degree IP55, suitable for mounting on the wall (supplied by switch)
- Output contact: 1 x changeover 16A / AC1
- LED output indication

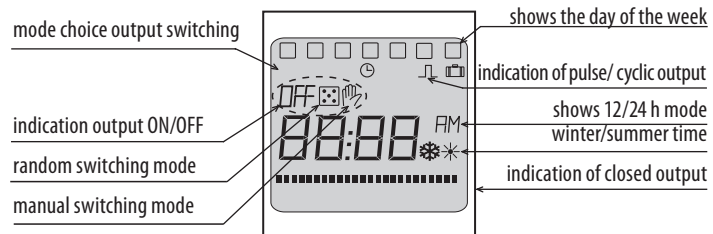
### Technical data

SOU-2	
Supply	A1-A2
Supply voltage	230 V AC (50-60Hz)
Consumption	max. 3,5 VA
Supply voltage tolerance	-15% ; +10%
Back-up supply	yes
Summer/winter time	automatic
<b>Output</b>	
Number of contacts	1 changeover (AgNi)
Rated current	8 A / AC1
Breaking capacity	2500 VA / AC1, 240W / DC
Switching voltage	max. 250 V AC1 / 24 V DC
Min. breaking capacity DC	500 mW
Mechanical life	1x10 <sup>7</sup>
Electrical life	1x10 <sup>5</sup>
<b>Time circuit</b>	
Back-up supply	3 years
Accuracy	max. +/- 1s. day (23°C)
Minimal interval	1 min.
Data stored for	min. 10 years
<b>Program circuit</b>	
Illumination range	1-50000 Lx
Program place number	100
Program	daily, weekly
Data readout	LCD display
<b>Controlling</b>	
Operating temperature	-20...+55 °C
Storage temperature	-30...+70 °C
Electrical strength	4kV (supply - output)
Operating position	any
Mounting	DIN rail EN 60715
Protection degree	IP 20 from front panel
Overvoltage category	III.
Pollution degree	2
Max. cable size	2.5 mm <sup>2</sup>
Dimensions	90 x 35,6 x 64 mm
Standards	EN 61812-1, EN 61010-1, EN 60255-6

### Connection



### Controlling elements



### Description

