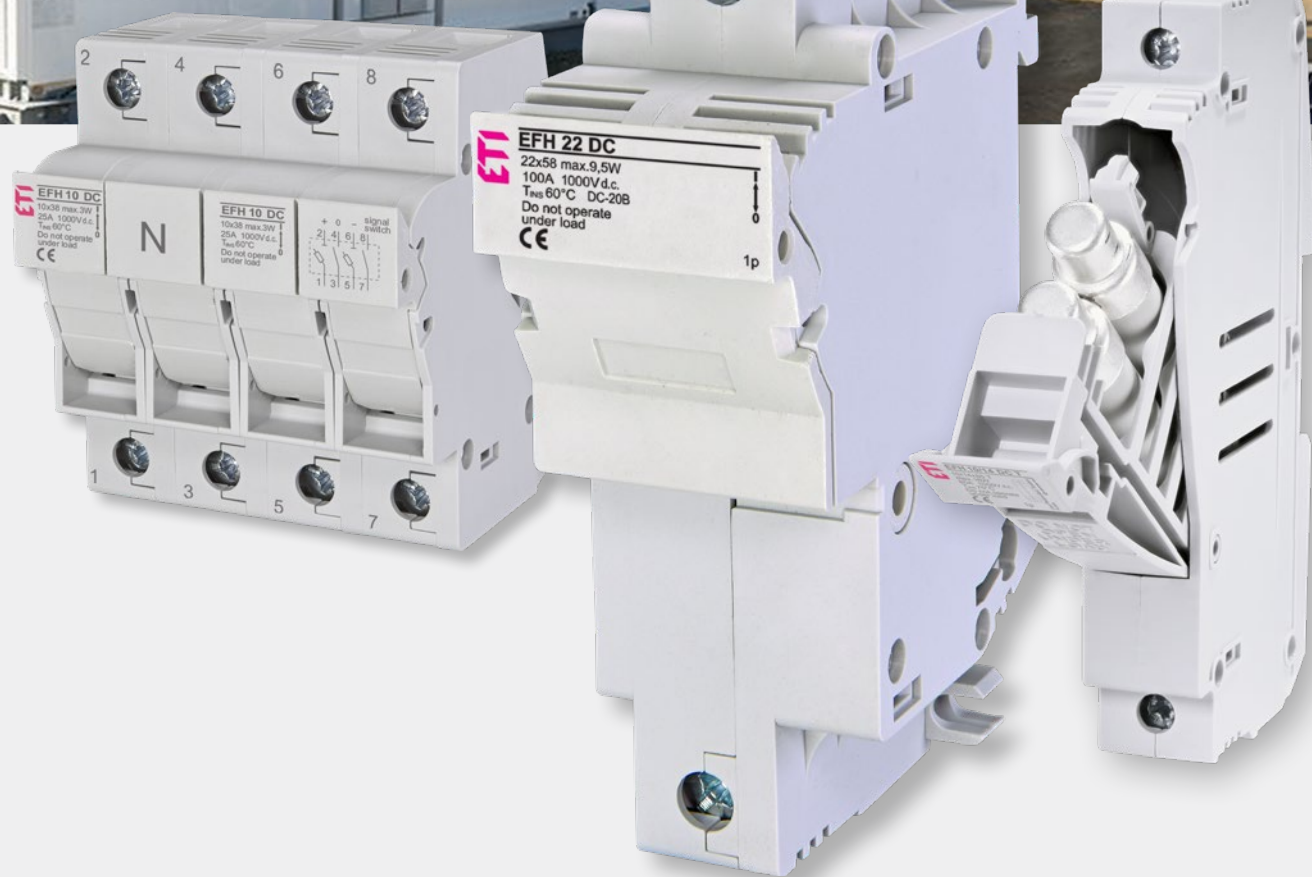


FUSEHOLDERS FOR CYLINDRICAL DC FUSE-LINKS



Advantages of DC fuseholder EFH

→ More space for finger to open fuse carrier

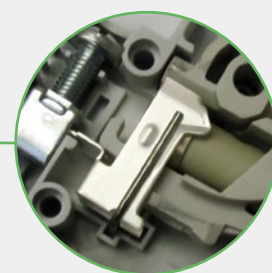


→ Compliance with IEC 60947-1, IEC 60947-3, UL 4248-1, UL 4248-19



→ Mounting on standard DIN 35 mm rail (DIN EN60715)

→ All contact surfaces are silver plated



→ Complete protection against touch according to IP20



→ Possibility of sealing in ON or OFF positions

→ All plastic parts are made of material resistant to extremely high temperatures. Fuse carrier assures that a fuse link is not in touch with a housing



→ For both sizes a **version with electronic indicator** is available. Marked with **L (LED)**, the EFH has a built-in LED diode which blinks after the fuse-link operates. Operating voltage ranges from 50V to 1000V d.c.



→ Modular design – it is possible to assemble multi-pole versions at the building site

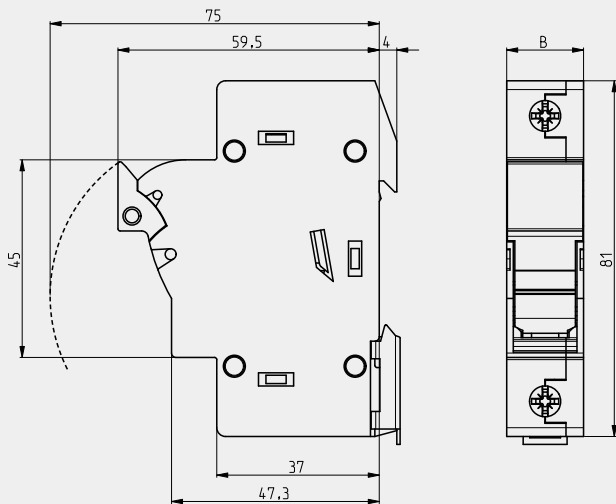


Fuse holder EFH 10, 14, 22 1000V d.c.

General characteristics		UL file: E356295
Rated voltage	1000V d.c.	
Rated current	25A, 50A, 100A	
Utilization category	DC-20B (Do not operate under load)	
Degree of protection	IP20	
Standards	IEC 60947-1, IEC 60947-3, UL 4248-1, UL 4248-19	

EFH 10x38 d.c.							
Number of poles	U_e/U_i [V]	I_{max} [A]	Code No.	Max. power dissipation of the fuse-link per pole [W]	Indicator	Weight [g]	Pack. [pcs]
1p	1000	25	002540201	3	-	63	12/108
			002540211		LED	64	
2p			002540203		-	124	6/54
			002540213		LED	125	
2p+N+S*			002540204		-	257	3/27

*Only IEC certified



	B
1p	17,5
2p	35
2p+N+S	70



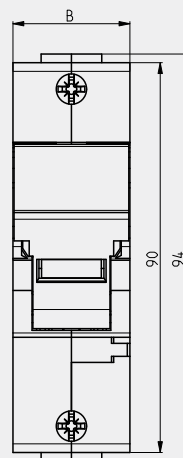
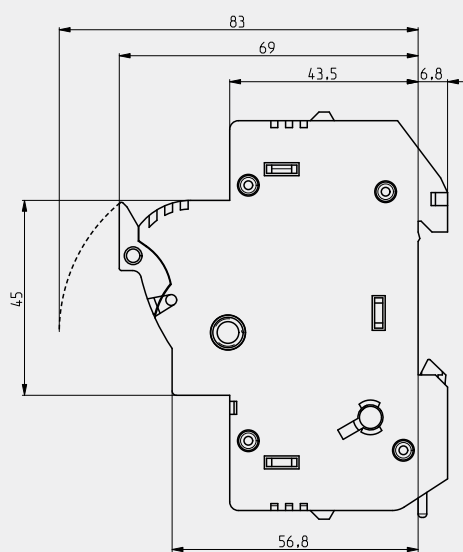
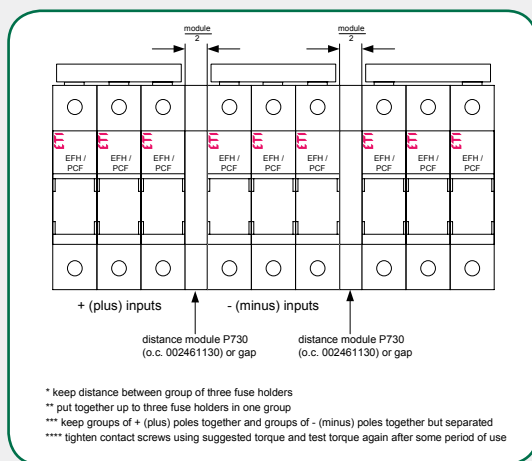
C fuse - holders



EFH 14x51 d.c.

Number of poles	U_e/U_i [V]	$I_{max.}$ [A]	Code No.	Max. power dissipation of the fuse-link per pole [W]	Indicator	Weight [g]	Pack. [pcs]
1p	1000	50	002560201	5	-	102	12/96
			002560211		LED	103	
002560203			-		206	6/48	
002560213			LED		208		
2p+N+S*			002560205		-	452	3/24

*Only IEC certified

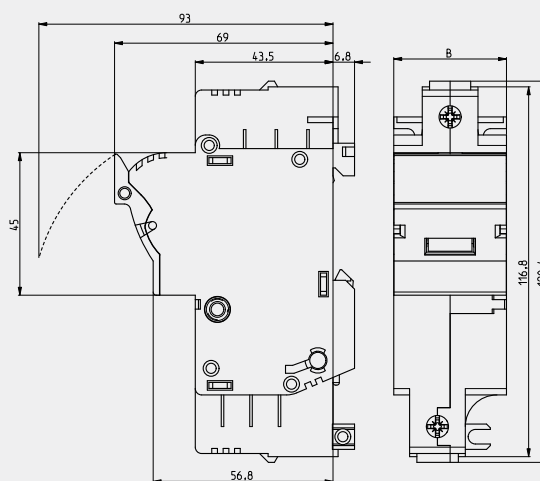


	B
1p	27
2p	54
2p+N+S	108



EFH 22x58 d.c.

Number of poles	U_e/U_i [V]	$I_{max.}$ [A]	Code No.	Max. power dissipation of the fuse-link per pole [W]	Indicator	Weight [g]	Pack. [pcs]
1p	1000	100	002570201	9,5	-	156	3/105
			002570211		LED	158	
002570203			-		317	2/34	
002570213			LED		321		



Type	Dimensions [mm]
	B
1 pole	35,6
2 pole	71,2

C fuse - holders



Technical data			
	EFH 10 DC	EFH 14 DC	EFH 22 DC
Fuse type	CH 10x38	CH 14x51	CH 22x58
Versions	Without indicator, LED indicator		
Number of poles	1p, 2p, 2p+N+S		
Rated operational voltage Ue	1000V d.c.		
Rated operational current Ie	25A	50A	100A
Rated conditional short-circuit current	IEC 30kA, UL 10kA		30kA
Rated insulation voltage Ui	1000V		
Rated imp. withstand voltage Uimp	8kV		
Max power dissipation of the fuse-link	3W	5W	9,5W
Derating factor of current In for different ambient temperatures	20°	1	
	30°	0,95	
	40°	0,9	
	50°	0,8	
	60°	0,7	
	70°	0,5	
Derating factor of current In for side by side mounting fuse holders (nr. of poles)	1-4	1	
	5-6	0,8	
	7-9	0,7	
	≥10	0,6	
LED indicator operating range	80V-1000V d.c.		
Utilization category	DC-20B (Do not operate under load)		
Operational performance (cycles with current)	0		
Operational performance (cycles without current)	2000		
Inclined Plane Tracking (IPT)	60min at 1kV		
Humidity	90% at 20°C		
Ambient air temperature	-5°C ... +40°C		
Operating ambient air temperature	-40°C ... +90°C		
Storage ambient air temperature	-25°C ... +55°C		
Degree of protection (IEC 60529)	IP 20		
Terminal capacity	1-25mm ² AWG 18-8 solid&stranded Cu only	1,5-35mm ² AWG 16-6 solid&stranded Cu only	4-50mm ²
Screw	PZ M5		
Torque	2Nm 17,7 lb-in	2Nm 17,7 lb-in	2,5-3Nm
Mounting on EN 60715 rail	35mm rail		
Sealing possibility	ON and OFF		
Standards - fuse links	IEC 60269-2, IEC 606269-6, IEC 60269-7 UL, 248-1, UL 248-19		IEC 60269-2, IEC 606269-6, IEC 60269-7
Standards - fuse holders	IEC 60947-1, IEC 60947-3 UL 4248-1, UL 4248-19		IEC 60947-1, IEC 60947-3
Test reports	UL		Internal
Certificates	UL Listed		

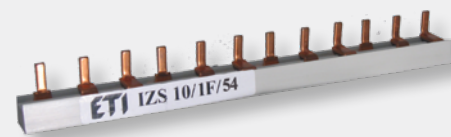


Section rail

EFH 10 DC

Type	Description	Code No.	Cross section (mm ²)	Length (m)	Weight [g]	Packaging [pcs]
IZS10/1F/54	10 mm ² , 1 pole, 54 mod	002921101	10	1	150	40
IZS16/1F/54	16 mm ² , 1 pole, 54 mod	002921111	16	1	220	40

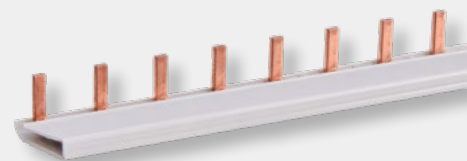
For use with EFH10 DC, more info in B&I catalogue



EFH 14 DC

Type	Description	Code No.	Cross section (mm ²)	Length (m)	Weight [g]	Packaging [pcs]
IZS16/1F/36	16 mm ² , 1 pole, 36 mod	002921121	16	1	280	40

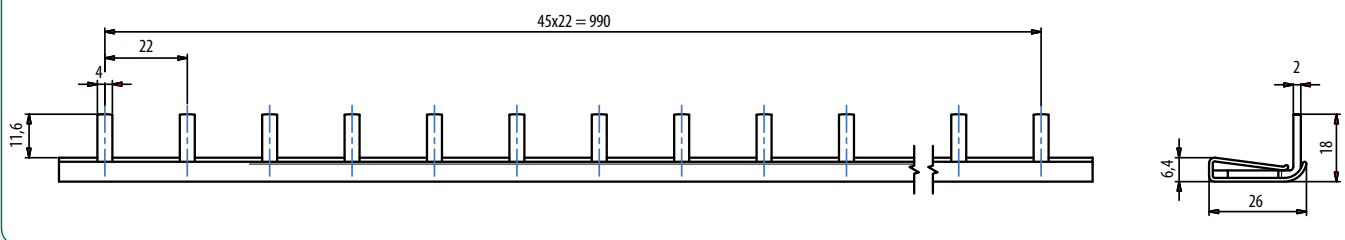
For use with EFH14 DC, more info in B&I catalogue



EFH 10/14x85 DC

Type	Description	Code No.	Cross section (mm ²)	Length (m)	Weight [g]	Packaging [pcs]
IZS35/1F/46	35 mm ² , 1 pole, 46 mod, T=22mm, 1500 VDC, 125A	002921292	35	1,016	400	10

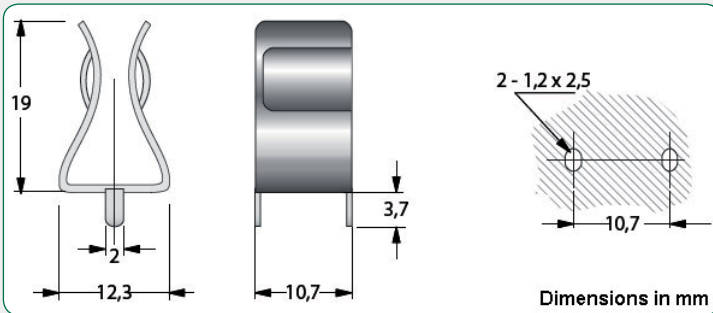
Use end cover Z-50/1F/28 (002921263), under 1 reference code = 1 pair
Feeding at beginning/ending rail = 125A, feeding in middle of rail = 200A



Fuseholder for CH fuse links

Fuseholders for CH10 fuse links

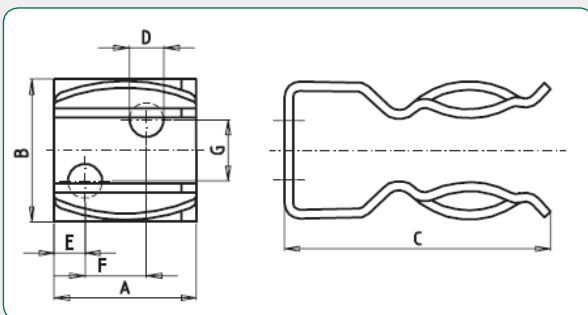
Code	Type	Weight(g)	Packaging [pcs]
006710335	CH10-PCB	1	250



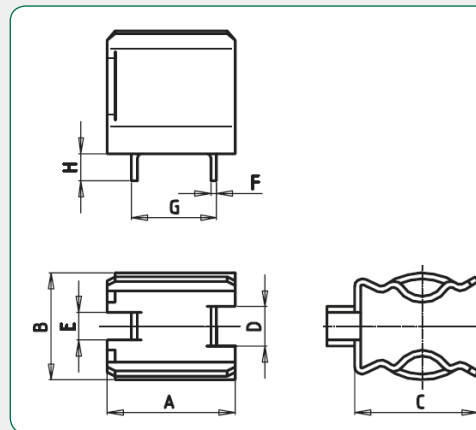
Type	Dimensions [mm]							
	A	B	C	D	E	F	G	H
CH10-PCB	12,3	9,8	19,0	2,0	2,0	0,75	11,0	4,0

Fuseholders for CH14 fuse links

Code	Type	Weight(g)	Packaging [pcs]
006710340	CH14-PCB	5	100
006710341	CH14-SCR	5	100



Type	Dimensions [mm]						
	A	B	C	D	E	F	G
CH14-SCR	16	16	23	4,2	6,5	0	0



Type	Dimensions [mm]							
	A	B	C	D	E	F	G	H
CH14-PCB	16	14	15,5	5	3,5	0,75	10,7	3,5

