

FUSE BASES FOR NH DC FUSE-LINKS

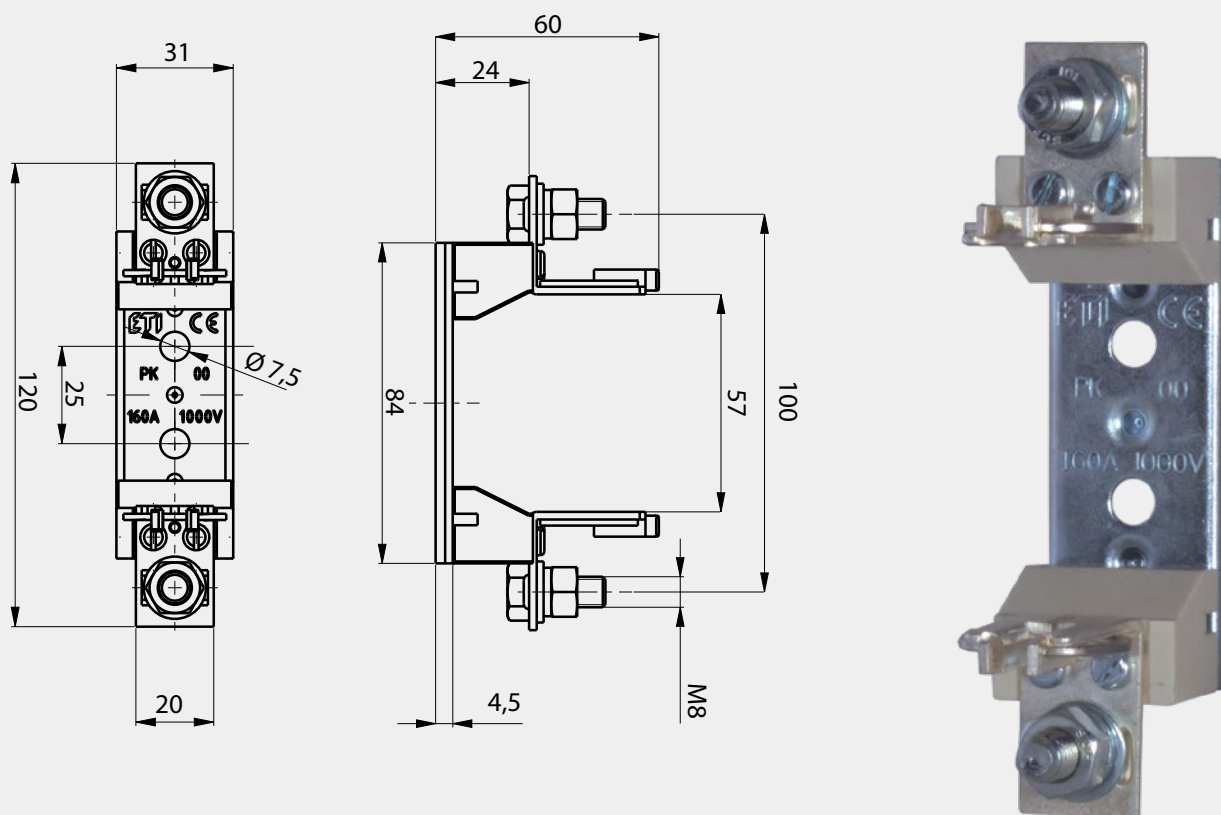


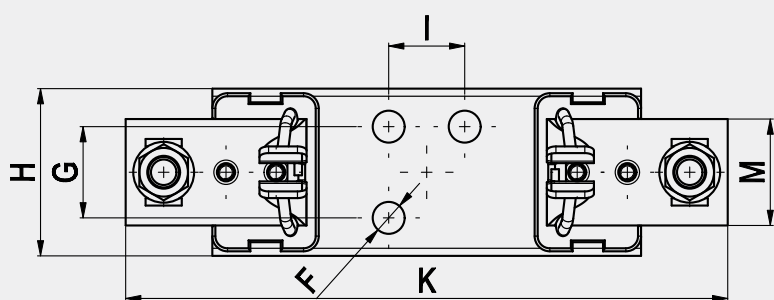
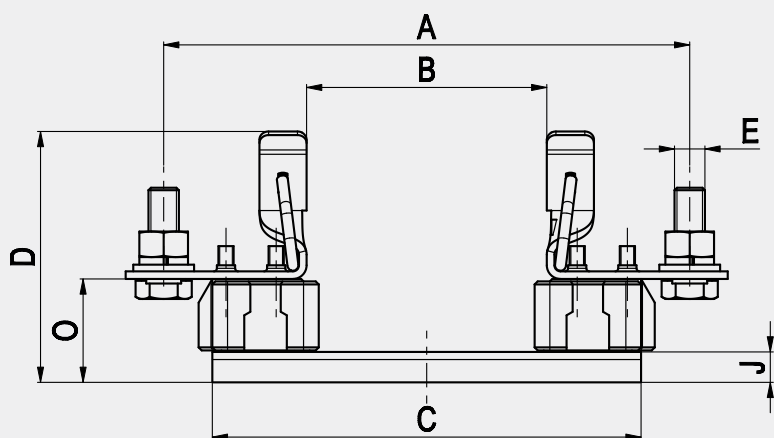


Fuse base PK 00, 0, 1, 2, 3 1000V a.c./d.c.

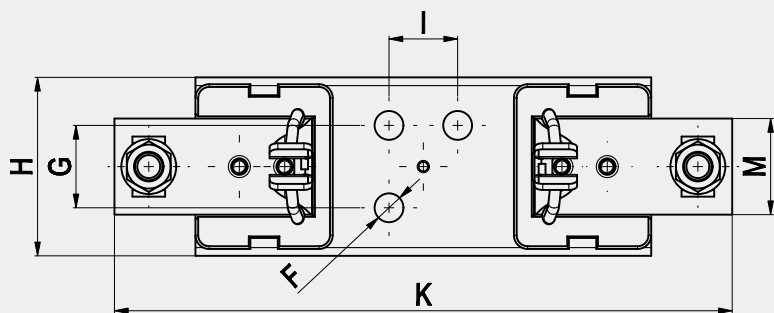
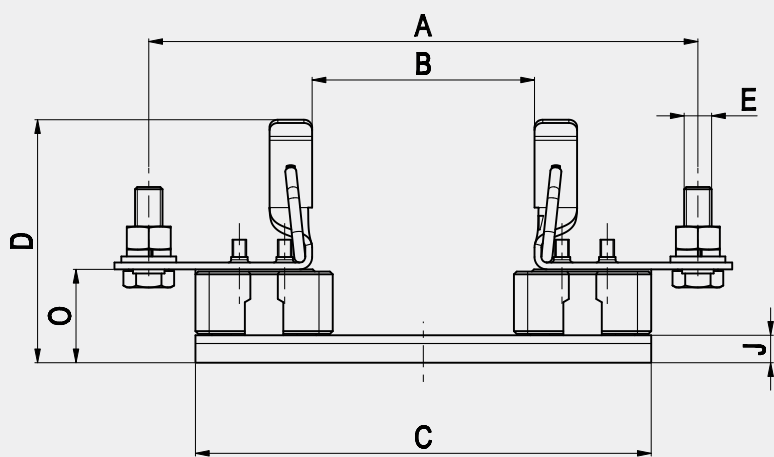
General characteristics	
Rated voltage	1000V a.c./d.c.
Rated current	160A, 250A, 400A, 630A
Insulation class	C-VDE 0110
Degree of protection	IP00
Standards	IEC 60269, DIN VDE 0636, DIN 43620, DIN 43623

Fuse base PK 1000V a.c./d.c.								
Size	I_n [A]	No. of poles	Code No.	Cable lugs according to DIN 46235 [mm ²]	Tightening torque [Nm]	Max. power dissipation of the fuse-link per pole [W]	Weight [g]	Packaging [pcs]
PK 00 M8-M8 DC 1000V 1p	160A	1p	004122044	6 - 95	10	12	173	3/75
PK 0 M8-M8 DC 1000V 1p	160A		004122033	6 - 95	10	12	258	3/90
PK 1 M10-M10 DC 1000V 1p	250A		004122025	25 - 150	32	32	605	3/18
PK 2 M10-M10 DC 1000V 1p	400A		004122024	25 - 240	32	45	845	3/15
PK 3 M12-M12 DC 1000V 1p	630A		004122023	25 - 300	32	60	1110	3/12





PK0,1 DC

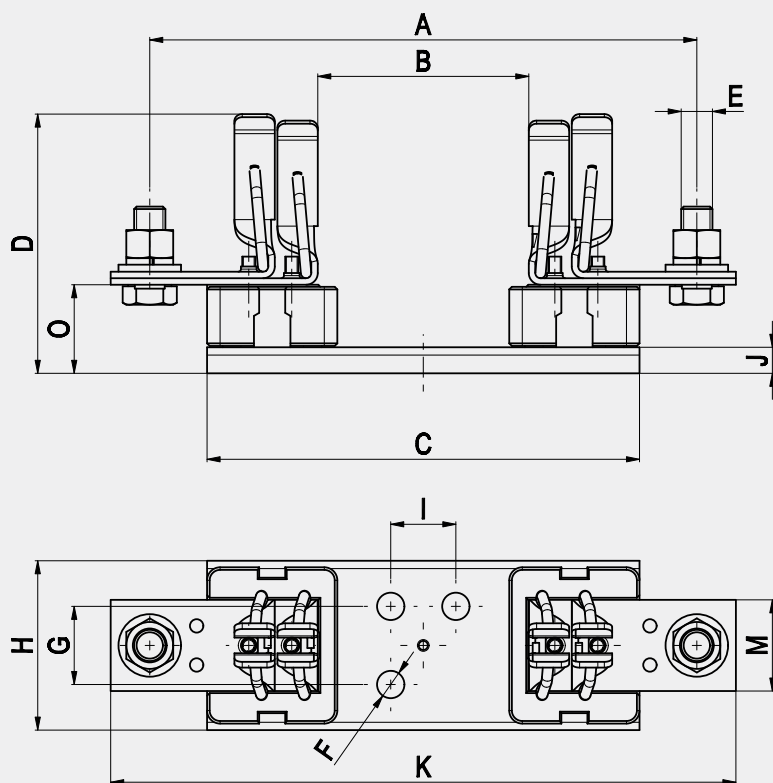


PK2 DC



NH fuse - bases





PK3 DC

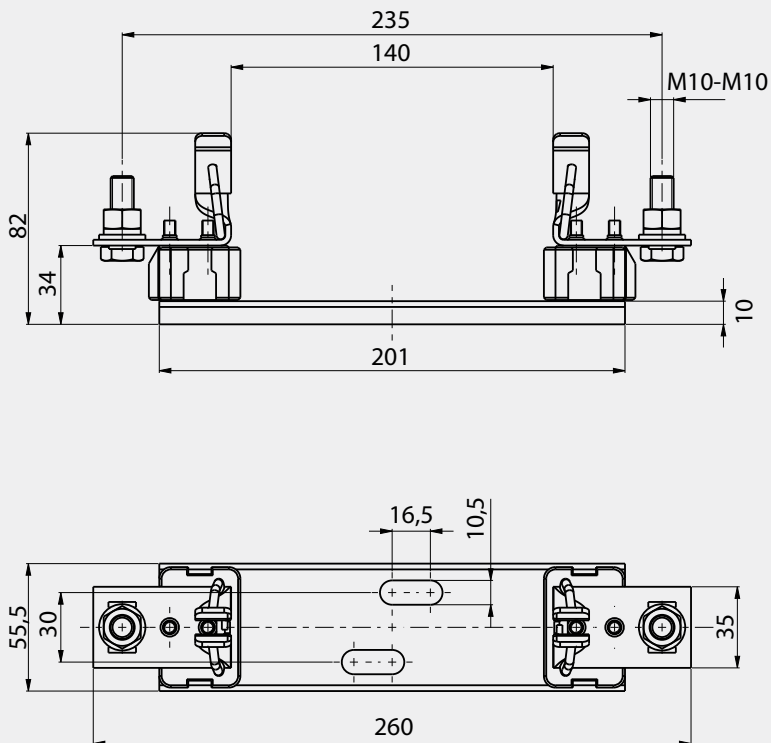


Type	Dimensions [mm]												
	A	B	C	D	E	F	G	H	I	J	K	M	O
PK 00	100	57	84	60	M8-M8	Ø7,5	-	31	25	4,5	120	20	24
PK 0	150	74	130	60	M8-M8	Ø7,5	-	33	25	4,5	170	20	25
PK 1	175	80	141	82	M10-M10	Ø10,5	30	55,5	25	10	200	35	35
PK 2	200	80	166	87	M10-M10	Ø10,5	30	65	25	10	225	35	35
PK 3	210	80	166	99	M12-M12	Ø10,5	30	65	25	10	240	35	35

Fuse base PK XL 1500V d.c.

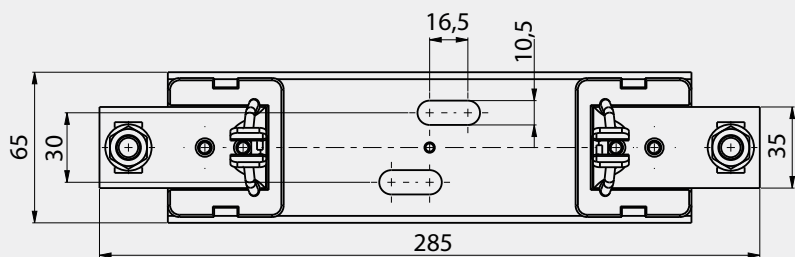
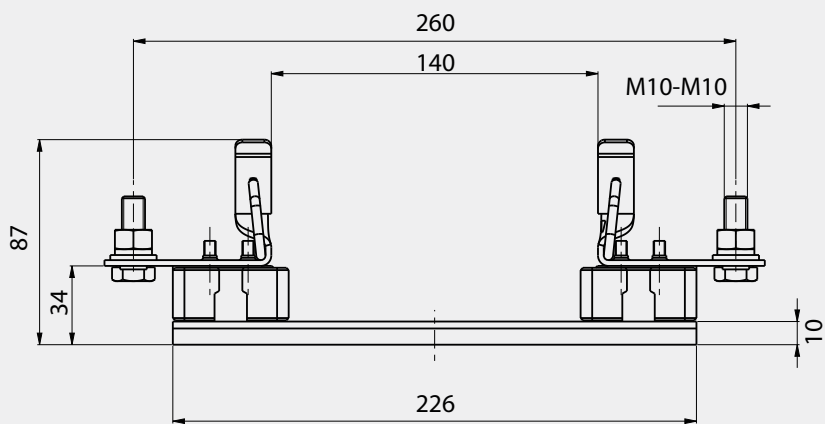
General characteristics		UL file: E356295
Rated voltage	1500V d.c.	
Rated current	160A, 250A, 400A, 630A	
Insulation class	C-VDE 0110	
Degree of protection	IP00	
Standards	IEC 60269, DIN VDE 0636, DIN 43620, DIN 43623	

Fuse base PK XL 1500V d.c.								
Size	I_n [A]	No. of poles	Code No.	Cable lugs according to DIN 46235 [mm ²]	Tightening torque [Nm]	Max. power dissipation of the fuse-link per pole [W]	Weight [g]	Packaging [pcs]
PK 01XL M8-M8 1500V 1p	160A	1p	004132029	6 - 95	10	?	?	3/75
PK 1XL M10-M10 1500V 1p	250A		004132017	25 - 150	32	675	3	3/90
PK 2XL M10-M10 1500V 1p	400A		004132019	25 - 240	32	921	1	3/18
PK 3L M12-M12 1500V 1p	630A		004132023	25 - 300	32	1184	1	3/15

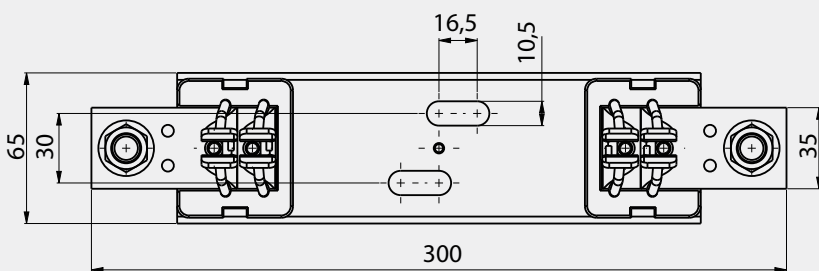
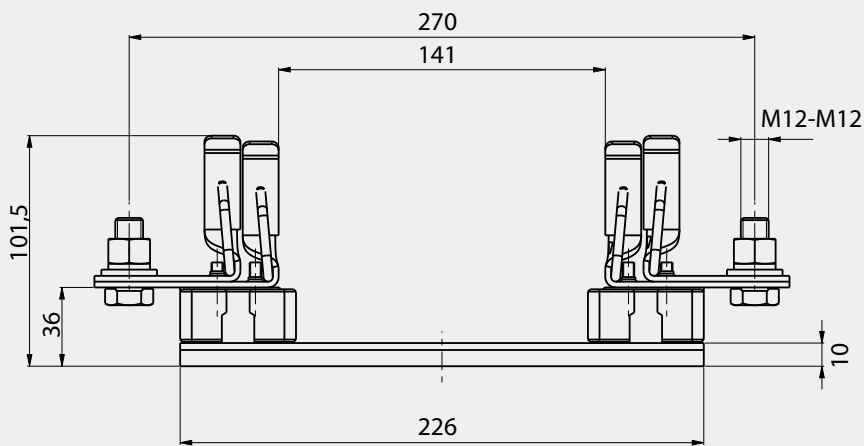


PK1XL





PK2XL



PK3L



NH fuse - bases

Fuse base U1...3/GZ/1500/H

General characteristics

Type			U1XL-1IGZ/1500/H	U2XL-1IGZ/1500/H	U3L-1IGZ/1500/H
Size			NH1XL	NH2XL	NH3L
Rated voltage	V		1500	1500	1500
Rated current	A		250	400	630
Conv. free air thermal current with fuse links	A		200	315	630
Conv. free air thermal current with solid links	A		325	400	1000
Rated frequency	Hz		40-60	40-60	40-60
Max. permis. power dissipation per fuse-link	W		35	35*	70
Cable terminal - Flat terminal	Screw	–	M10	M10	M12
	Cable lug (DIN 46235)	mm ²	25-240	25-240	25-300
	Flat termination	mmxmm	30x10	30x10	40x10
	Rated torque	Nm	30-35	30-35	30-35
Cable terminal - Terminal	Cross-section	mm ²	KM2G	KM2G	P32
	Rated torque	Nm			
Degree of protection - Front side, device fitted	Operating conditions	–	IP00	IP00	IP00
	Gripping lug cover A-U... (available separately) applied	–	IP2X	IP2X	IP2X
Operating conditions	Ambient temperature**	°C		-25 ... +55	
	Rated operating mode	–		Uninterrupted duty	
	Actuation	–		–	
	Mounting position	–		Vertical, horizontal	
	Altitude	m		< 2000	
	Pollution degree	–		3	
	Overvoltage category	–		III	

* with application of gPV fuse-links max. 250A: 46W

** 35°C normal temperature, at 55°C with reduced operating current

Fuse base U1...3/GZ/1500/H

Type	I _n [A]	Code No.	Max. Connection (mm ²)	Weight [g]	Packaging [pcs]
U1XL-1IGZ/1500/H	250	004122060	240	600	1
U2XL-1IGZ/1500/H	400	004122061	240	600	1
U3L-1IGZ/1500/H	630	004122062	300	1000	1

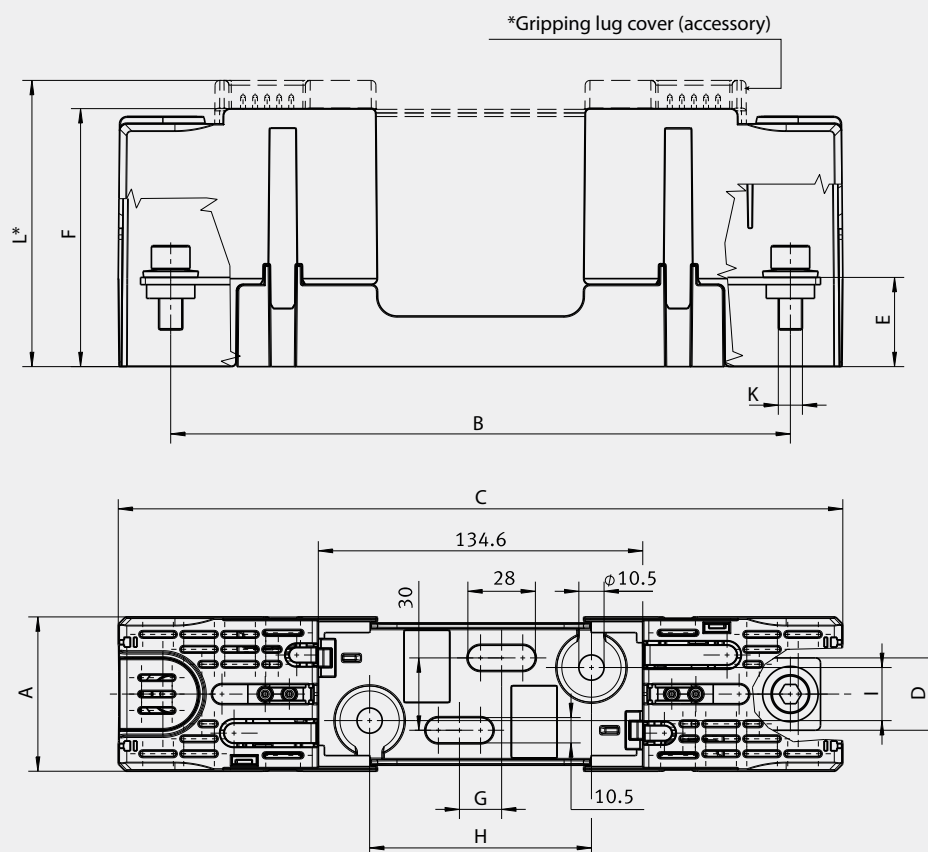
Accessories

Type	Code No.	Description	Weight [g]	Packaging [pcs]
K-U1XL-3L	004122063	Mechanical fuse monitoring	9	1
A-U1XL-2XL	004122064	Gripping lug cover	13	1
A-U3L	004122065	Gripping lug cover	32	1





Size	Dimensions [mm]										
	A	B	C	D	E	F	G	H	I	K	L*
U1XL-1IGZ/1500/H	59	257	300,5	30	37	102,5	175	92	22	M10	111
U2XL-1IGZ/1500/H	64	257	300,5	30	37	107	175	92	22	M10	119
U3L-1IGZ/1500/H	80	270	328	40	38	122,5	25	96	26	M12	1.345



Fuse base U1-1/GZ/PV

General characteristics

Rated voltage	1000V d.c.	
Rated current	160A	
Fuse link size	1C, 1	
Conv. free air thermal current with fuse-links	160A	
Conv. free air thermal current with solid links	325A	
Max. permis. power dissipation per fuse-link	31W	
Cable terminal - Flat terminal	Screw	M10
	Cable lug (DIN 46235)	25-150 mm ²
	Flat termination	30x10 mmx-mm
	Rated torque	30-35 Nm



Fuse base U1-1/GZ/PV

Type	I _n [A]	Code No.	Max. Connection (mm ²)	Weight [g]	Packaging [pcs]
U1-1/GZ/PV	160	004122035	150	387	1

